



## Zip HydroTap<sup>®</sup> 2010/11

The latest from the world leader in instant boiling and chilled filtered water





# Zip HydroTap® INTERNATIONALLY

## Changing the way the world boils water

Zip HydroTap brings the practical advantages of “boiling and chilled filtered water instantly” to kitchens in more than 50 countries world wide.

### Taipei

Zip instant boiling water is at work in one of the world's tallest towers.



### Frankfurt

The head office of the Dresdner Bank is equipped with Zip systems.

### Sydney

More than 30,000 Zip systems are installed in the CBD alone.



### Hong Kong

Zip HydroTap is installed in Chek Lap Kok Airport lounges.



### London

Offices of the Greater London Authority are home to Zip HydroTap.



### Singapore

The Esplanade Performing Arts Centre has 28 Zip systems.



Boiling filtered water instantly.



Chilled filtered water instantly.

SIMPLICITY	4 - 5
TECHNOLOGY	6 - 7
FILTRATION	8 - 9
SPECIFICATION	10 - 11
AT HOME	12 - 13
AT WORK	14 - 15
IN INDUSTRY	16 - 17
MIXER TAPS	18 - 19
OPTIONS	20 - 21
INSTALLATION	22 - 23



Victor Chang Cardiac Research Institute, Sydney.



## Zip HydroTap® SIMPLICITY

No more waiting for water to boil  
No more bottled water to buy





#### **Tea, instantly**

No waiting for water to boil. Press the lever, and out it pours - boiling water at just the right temperature to make perfect tea.



#### **Coffee, instantly**

Lift the red lever to fill your plunger with boiling water, instantly. Flick the red lever again, and the flow stops, instantly.



#### **Drinks, instantly**

Press the blue lever for an endless supply of great tasting, crystal clear filtered chilled drinking water at a fraction of the cost of bottled water.



#### **Safety lock for peace of mind**

When activated, the child safety lock requires adult finger-thumb operation.



## Zip HydroTap® TECHNOLOGY

Superior technology saves energy  
and conserves water too



University of Queensland Centre for Clinical Research, Brisbane.



#### Power-Pulse™ energy saving technology

Reduces power consumption by allowing the system to electronically regulate its power usage during high and low usage periods. It saves energy whilst maintaining water temperature to within 0.2 degrees Celsius of the set temperature.



#### Cuts energy consumption

Standby power: less than 12 cents a day (with Sleep Mode active 10 hours in 24).  
Boiling water: seven cups for 1 cent. Chilled water: twenty glasses for one cent.

Cup = 167 ml. Glass = 200 ml.



#### Sleeps when inactive

The system can be pre-set to power-down after 2 or 4 hours of non-use, but will still maintain stored 'boiling' water at an energy-saving 64°C. The system quickly recovers to pre-set boiling temperature when re-used.



#### Air-cooled system, not water cooled

To conserve water, the under-sink system is air cooled instead of water cooled. It is never called upon to dump water to waste like water cooled systems are. No need to run the tap waiting for water at boiling point either - the first drops are the set temperature.



#### Programmable 24/7 timer

Preset 'power on and off' periods (once-a-day) for those times when the Zip HydroTap won't be used such as early mornings, late nights or weekends.

### Typical energy efficiency information for Zip HydroTap Commercial Models

Zip HydroTap Model	Typical 24-Hour Business Day (see note B)			Per cup of boiling water or glass of chilled water					
	Power Usage (watt hours)	CO <sup>2</sup> Emission (kg)	Cost (per day)	Power Usage (watt hours)		CO <sup>2</sup> Emission (kg)		Cost (per cup/glass)	
				Boiling	Chilled	Boiling	Chilled	Boiling	Chilled
BC150/175	1,481	1.21	\$0.15	13.0	6.0	0.01	0.005	\$0.0016	\$0.0007
BC100/125	1,357	1.11	\$0.13	13.0	6.0	0.01	0.005	\$0.0016	\$0.0007

#### Energy efficiency technical notes:

- Typical results of technical tests carried out for Zip and independently verified by The University of New South Wales, Australia.
- Assumed typical 24-hour business day; 12 hours operational mode, 12 hours sleep mode, 10 minutes full recovery mode.
- Operational mode is the default setting; the system phases sufficient power to maintain set water temperature in tanks.
- Sleep mode – system powers down if not used for either 2 or 4 hours, phases only enough energy to maintain boiling water >64°C.
- Test conditions – boiling water at 98°C and chilled water at between 5°C and 10°C.
- The CO<sup>2</sup> emission estimates are based on 819 kg of CO<sup>2</sup> per 1000 kWh of electrical power consumed.
- The estimated cost per day is based on AU\$0.12 per kWh.

## Zip HydroTap® FILTRATION

Sub-micron filtration ensures crystal clear, great tasting, healthier water





**The Zip HydroTap filter system is among the most technologically advanced in the world**

- Reduces chlorine taste and odour.
- Reduces dirt, rust, asbestos fibres, and other particulates such as oxidized iron, manganese, and sulfides.
- Reduces parasitic protozoan cysts.
- Reduces common limescale formation.



**Removes micro-organisms as tiny as one thousandth of a millimetre. That's just 1 micron. A single strand of human hair is about 100 microns thick.**

Fitted as standard on all Zip HydroTap systems, our sub-micron filters remove micro-organisms as small as one thousandth (1/1000th) of a millimetre, plus harmful parasites such as *Cryptosporidium* and *Giardia*.



**Compact and hygienically encased**

The filter is hidden away, as part of the under sink system. It is also hygienically encased for quick, easy and mess-free replacement.

**DIY or Zip will change the filter for you**

Changing the filter is easy! Either do-it-yourself or have a Zip technician visit your premises and do it for you.



**Filter-change warning light**

The white warning light flashes when a filter change is due and can be programmed for either a specific time period or litres used. It is recommended the filter be changed at least once every 12 months.

System Tested and Certified by NSF International against NSF/ANSI Standard 42 and 53 for the reduction of:

**Std. No 42 – Aesthetic effects**

*Chemical Reduction*  
Taste & Odour  
Chlorine Taste & Odour  
*Mechanical Filtration*  
Particulate Class 1

**Std. No 53 – Health effects**

*Mechanical Filtration*  
Cyst  
Asbestos



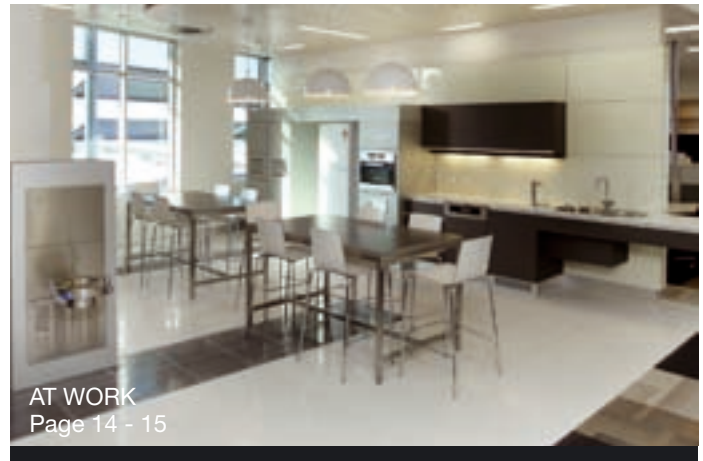
For information on filtration in 'high sediment' water areas see page 22.



# Zip HydroTap® SPECIFICATION

Choose a model specific to your project

Zip HydroTap is supplied in a variety of models designed to cater for the specific requirement of many different types of users. To ensure no substitution can be made, always quote the Zip Order Code in your written specification.



## How to specify

### Step 1

#### Select the category of kitchen involved:

- AT HOME – Residential models cater for the needs of a typical household.
- AT WORK – Commercial models cater for small, medium and large offices.
- IN INDUSTRY – Industrial models are built to better withstand rough handling.
- MIXER TAPS – Mixer models give hot, cold, warm, boiling and chilled water, avoiding the need for hot water reticulation to small kitchens.

AT HOME

12 - 13

AT WORK

14 - 15

IN INDUSTRY

16 - 17

MIXER TAPS

18 - 19

### Step 2

#### Select the type of output you prefer:

The water delivery capability of each model is shown in the product selection tables on the following pages. Select:

- Boiling and chilled filtered water.
- Boiling and cold (ambient) filtered water.
- Boiling filtered water.
- Chilled filtered water.
- Boiling and chilled filtered water plus hot and cold water.

### Step 3

#### Select the most suitable capacity:

Refer to the “boiling cups per hour” column in the product selection tables on the following pages. Then choose the model best suited to your needs. Larger capacity models should be chosen mainly for busy kitchens in larger offices.

### Step 4

#### Check your options, decide what goes where:

- Refer to accessory and colour options listed on page 20 & 21.
- Refer to installation requirements listed on pages 22 & 23.
- The under-sink unit is positioned directly beneath the tap.
- The tap may be installed on a sink or remote from any sink.

OPTIONS

20 - 21

INSTALLATION

22 - 23

For technical assistance dial **1800 42 43 44** and ask for an architectural specification representative to contact you.

# Zip HydroTap® AT HOME

Instant boiling water systems for home kitchens, large and small

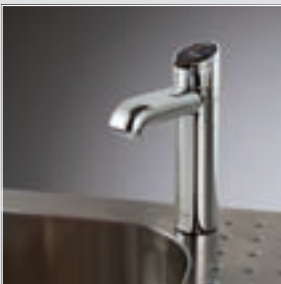


## Zip HydroTap RESIDENTIAL MODELS

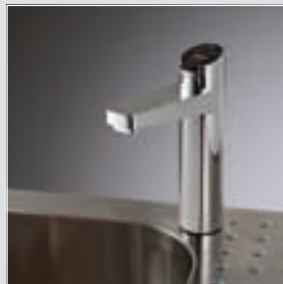
- Boiling and chilled filtered water.
- Boiling and cold (ambient) filtered water.
- Boiling filtered water only.
- Chilled filtered water only.
- All models have timer and sleep mode features.
- Plus electronic power-saving features.

## Zip Miniboil NEW SUPER-COMPACT MODELS

Zip Miniboil CLASSIC



Zip Miniboil ELITE



With 10mm longer spout to fit designer sinks.

- Boiling and cold (ambient) filtered water.
- New touch-pad head with safety switch.
- New super-compact undersink system.
- Simple controls; no timer or sleep mode.
- Available in a choice of two designs.



New touch-pad head for instant boiling water and cold (ambient) water.

Zip Model	Boiling Water	Chilled Water	Hot Water	Cold Water	Order Code	Boiling Chamber	Chilled Chamber	Total Rating	Under-Sink W x D x H
Miniboil BA Classic	✓	–	–	✓	39118	1.8 litres	–	1.5 kW	212 x 272 x 338
Miniboil BA Elite	✓	–	–	✓	39119	1.8 litres	–	1.5 kW	212 x 272 x 338
Residential BC Standard	✓	✓	–	–	37677	1.8 litres	1.8 litres	1.7 kW	440 x 430 x 337
Residential BC Compact	✓	✓	–	–	437677	1.8 litres	1.8 litres	1.7 kW	385 x 380 x 348
Residential BC Split	✓	✓	–	–	35621	1.8 litres	1.8 litres	1.7 kW	280 x 323 x 337 (B) 353 x 253 x 377 (C)
Residential BA	✓	–	–	✓	37697	1.8 litres	–	1.5 kW	280 x 323 x 337
Residential B	✓	–	–	–	35676	1.8 litres	–	1.5 kW	280 x 323 x 337
Residential C	–	✓	–	–	30698	–	1.8 litres	0.2 kW	306 x 457 x 334

Measurements shown are width, depth and height in mm. "Cold" water is at ambient temperature.



# Zip HydroTap® AT WORK

Small, medium or large offices, hospitals, clinics, canteens



## Zip HydroTap COMMERCIAL MODELS

### Choose output type:

- Boiling and chilled filtered water.
- Boiling and cold (ambient) filtered water.
- Boiling filtered water only.
- Chilled filtered water only.

### Choose capacity:

- 60 boiling cups per hour, for small offices.
- 100 boiling cups per hour, for medium offices.
- 150, 160 or 240 boiling cups per hour, for large offices.
- 85 chilled glasses per hour, for small offices.
- 125 chilled glasses per hour, for medium offices.
- 175 chilled glasses per hour, for large offices.

## New “FREE-FLOW” MODELS

### Choose for kitchens where bottle-filling is routine:

The “free-flow” models ensure cold filtered water continues to flow even during periods of high usage when the ‘chilled glasses per hour’ capacity is exceeded.





Zip HydroTap Model	Boiling Water	Chilled Water	Hot Water	Cold Water	Model No.	Order Code	Boiling Cup/Hr	Chilled Glasses/Hr	Total Rating	Under-Sink W x D x H
Commercial BC Free-Flow	✓	✓	–	–	BC240/175+	39110	240	175+	3.4 kW*	500 x 465 x 395
Commercial BC Free-Flow	✓	✓	–	–	BC160/125+	39102	160	125+	2.3 kW	440 x 430 x 337
Commercial BC	✓	✓	–	–	BC150/175	73165	150	175	2.1 kW	500 x 465 x 395
Commercial BC	✓	✓	–	–	BC100/125	73164	100	125	1.7 kW	440 x 430 x 337
Commercial BC	✓	✓	–	–	BC60/85	73166	60	85	1.7 kW	440 x 430 x 337
Commercial BA	✓	–	–	✓	BF150	38010	150	–	1.8 kW	310 x 340 x 393
Commercial BA	✓	–	–	✓	BF100	37602	100	–	1.5 kW	280 x 323 x 337
Commercial B	✓	–	–	–	B150F	73171	150	–	1.8kW	310 x 340 x 393
Commercial B	✓	–	–	–	B100F	73170	100	–	1.5 kW	280 x 323 x 337
Commercial C	–	✓	–	–	C125	39120	–	125	0.2 kW	306 x 457 x 334

Measurements shown are width, depth and height in mm. "Cold" water is at ambient temperature. Standard cup is 167 mL. Standard glass is 200 mL. Total power ratings are for 240 volt operation. Total power rating of 3.4 kW requires 15 Amp GPO. + Signifies models are Free-Flow.



## Zip HydroTap® IN INDUSTRY

New heavy-duty designs for industrial canteens and institutions



### Zip HydroTap NEW INDUSTRIAL SIDE TOUCH MODELS



- New super-strong tapered shank anchor.
- New damage-resistant side touch-buttons.
- Simple 2-button model without safety switch.
- Optional 3-button model with safety switch.
- Can be installed with buttons left or right.
- All models deliver boiling and chilled filtered water.
- Up to 160 or 240 boiling cups per hour.
- Up to 125 or 175 chilled glasses per hour.
- Features “free-flow” ensuring cold filtered water continues to flow even during periods of high usage when the ‘chilled glasses per hour’ capacity is exceeded.



High strength 25mm tapered base fastens to an undersink clamp block and supports a high strength steel spine reinforcing the whole of the tap shank.

### Zip HydroTap INDUSTRIAL TOP TOUCH MODELS

- Robust design: touch-buttons instead of levers.
- All models deliver boiling and chilled filtered water.
- Up to 160 or 240 boiling cups per hour.
- Up to 125 or 175 chilled glasses per hour.
- Both models feature “free-flow” ensuring cold filtered water continues to flow even during periods of high usage when the ‘chilled glasses per hour’ capacity is exceeded.



Instant Boiling Water



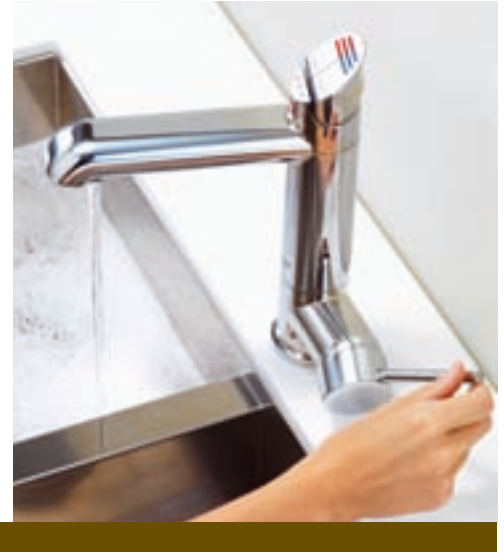
Zip HydroTap Model	Boiling Water	Chilled Water	Hot Water	Cold Water	Model Number	Order Code	Boiling Cup/Hour	Chilled Glasses/Hour	Total Rating	Under-Sink W x D x H
Industrial BC Top-Touch Free-Flow	✓	✓	–	–	IT240/175+	39126	240	175+	3.4 kW*	500 x 465 x 395
Industrial BC Top-Touch Free-Flow	✓	✓	–	–	IT160/125+	39125	160	125+	2.3 kW	440 x 430 x 337
Industrial BC Side-Touch Free-Flow	✓	✓	–	–	IS240/175+	39128	240	175+	3.4 kW*	500 x 465 x 395
Industrial BC Side-Touch Free-Flow	✓	✓	–	–	IS160/125+	39127	160	125+	2.3 kW	440 x 430 x 337

Measurements shown are width, depth and height in mm. Standard cup is 167 mL. Standard glass is 200 mL. Total power ratings are for 240 volt operation. Total power rating of 3.4 kW requires 15 Amp GPO. + Signifies models are Free-Flow.



## Zip HydroTap® MIXER TAPS

Boiling, chilled, hot, warm and cold water for compact kitchens



### Zip HydroTap NEW ALL-IN-ONE MODELS

- Boiling, chilled, hot and cold (ambient) water from one tap.
- Eliminates the need for more than one tap.
- Ideal for small office and apartment kitchens.
- Up to 60, 160 or 240 boiling cups per hour.
- Up to 85, 125 or 175 chilled glasses per hour.
- Models featuring “free-flow” ensure cold filtered water continues to flow even during periods of high usage when ‘chilled glasses per hour’ capacity is exceeded.
- Vented models mix boiling and cold water for hot water (no hot water service connection required).
- Non-vented models can be connected to a mains pressure hot water service.
- Sleep-when-it-is-dark feature activates whenever the room lights go off – an exclusive energy-saving feature.



Four-In-One or Three-In-One

### Zip HydroTap FOUR-IN-ONE\*\* MODELS

- Boiling, chilled, hot and cold (ambient) water, two taps.
- Up to 160 or 240 boiling cups per hour.
- Up to 125 or 175 chilled glasses per hour.
- With “free-flow” filtered water feature.

### Zip HydroTap THREE-IN-ONE\*\* MODELS

- Boiling, hot and cold (ambient) water, two taps, up to 100, 150 or 240 boiling cups per hour.



WELS rating for Four-In-One & Three-In-One.



WELS rating for All-In-One Vented.



WELS rating for All-In-One Non-Vented.

Zip HydroTap Model	Boiling Water	Chilled Water	Hot Water	Cold Water	Model Number	Order Code	Boiling Cup/Hour	Chilled Glasses/Hour	Total Rating	Under-Sink W x D x H
All-In-One BCHA Non-Vented Free-Flow	✓	✓	✓	✓	A240/175+	39122	240	175+	3.4 kW*	500 x 465 x 395
All-In-One BCHA Vented Free-Flow	✓	✓	✓	✓	AV240/175+	39124	240	175+	3.4 kW*	500 x 465 x 395
All-In-One BCHA Non-Vented Free-Flow	✓	✓	✓	✓	A160/125+	39121	160	125+	2.3 kW	440 x 430 x 337
All-In-One BCHA Vented Free-Flow	✓	✓	✓	✓	AV160/125+	39123	160	125+	2.3 kW	440 x 430 x 337
All-In-One BCHA Non-Vented	✓	✓	✓	✓	A60/85	39117	60	85	1.7 kW	440 x 430 x 337
Four-In-One BCHA Free-Flow**	✓	✓	✓	✓	BCH240/175+	430292	240	175+	3.4 kW*	500 x 465 x 395
Four-In-One BCHA Free-Flow**	✓	✓	✓	✓	BCH160/125+	439102	160	125+	2.3 kW	440 x 430 x 337
Three-In-One BHA**	✓	-	✓	✓	BH240F	439202	240	-	3.0 kW	310 x 340 x 393
Three-In-One BHA**	✓	-	✓	✓	BH150F	438202	150	-	1.8 kW	310 x 340 x 393
Three-In-One BHA**	✓	-	✓	✓	BH100F	437202	100	-	1.5 kW	280 x 323 x 337

Measurements shown are width, depth and height in mm. "Cold" water is at ambient temperature. Standard cup is 167 mL. Standard glass is 200 mL. Total power ratings are for 240 volt operation. Total power rating of 3.4 kW requires 15 Amp GPO. + Signifies models are Free-Flow. \*\*These models are equipped with a Zip HydroTap and a separate mixer tap.



## Zip HydroTap® OPTIONS

Beautiful finishes and practical options





**Colours**

Your Zip HydroTap comes in Bright Chrome as standard but several models are also available in these optional colours and finishes. (Not available for the Miniboil Classic and Miniboil Elite from the residential range, nor models in the industrial or mixer range).



Bright Chrome (standard)



Brushed Chrome



Black Chrome



Gold Plated

**Warranty**



**STANDARD 24 month warranty**

Your Zip HydroTap is covered by a 24 month full parts and labour warranty. Filter life may vary according to water quality and usage. Consequently filter replacement is not covered by warranty.



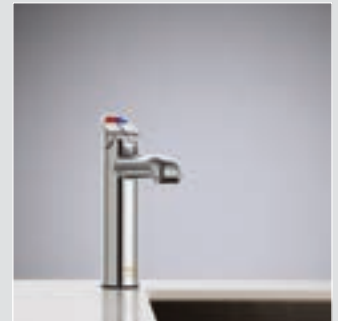
**EXTENDED 36 month warranty**

You have the option to extend the warranty to 36 months by registering your purchase upon installation. The extended warranty period is confirmed to you in writing. This offer applies only to residential models installed in residential kitchens.

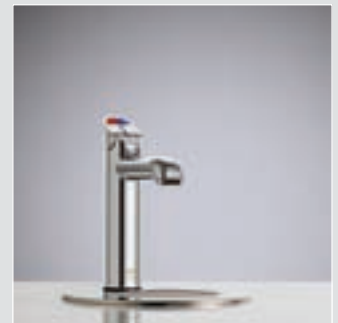
Full warranty details at [www.zipindustries.com](http://www.zipindustries.com)

**Font Kit**

Your Zip HydroTap can also be ordered with a matching font drainage base for away from sink installations. You can also include the optional shank extension which elevates the tap allowing for easier filling of taller water jugs and pots.



Zip HydroTap on sink.



Zip HydroTap on font without shank extension.



Zip HydroTap on font with shank extension.



# Zip HydroTap® INSTALLATION



## Plumbing

Must be installed by a qualified technician in accordance with instructions supplied with the product and with AS/NZS 3500 plumbing regulations.

Water supply must be potable (drinkable), and deliver at least 2 litres per minute at a minimum dynamic pressure of 70 kPa. For Three-In-One and Four-In-One models 200 kPa is essential.

If static pressure exceeds 700 kPa, a 500 kPa pressure limiting valve must be fitted. An isolating valve must be installed between the water supply and the under-sink system.

The under-sink system must be located directly beneath the tap – max up to 1000 mm away. Under-sink tubing must be taut for proper drainage – and never be looped or coiled.

## Electrical

Plugged to a 10 amp GPO within 1000 mm. Power supply – 220 V to 240 V AC 50/60 Hz, except 240 cup per hour model which requires 15 amp GPO. Install in accordance with AS/NZS 3350 safety regulations.

## Ventilation

The under-sink system must be installed with ventilation clearances 50 mm left and right, 220 mm above and 65 mm rear. The cupboard containing the under-sink system must be amply ventilated.

Buffers supplied must be fitted to the inside of cupboard doors to prevent flush closure, creating an undetectable 4 mm airspace around each door.

Installation of an auxiliary fan kit (order code 90651) is also recommended, positioned to optimise the flow of cooling air from offset cupboard doors and floor slots. The kit is included as standard with larger models (150/175 and 240/175+).

## Filtration

### (five-micron filter option)

Using a sub-micron filter in areas with excessively high levels of sediment in the water supply may require the filter to be changed more frequently than practical. In such areas, a five-micron filter maybe substituted. Our five-micron filter removes general contaminants and sediment, plus chlorine taste and odour, but will not filter out parasites such as Cryptosporidium and Giardia.

## Service

Zip maintains a national network of more than 300 comprehensively-trained service technicians and service providers. It also offers a choice of preventive maintenance plans providing periodic filter changing, inspections, adjustment, and problem rectification.

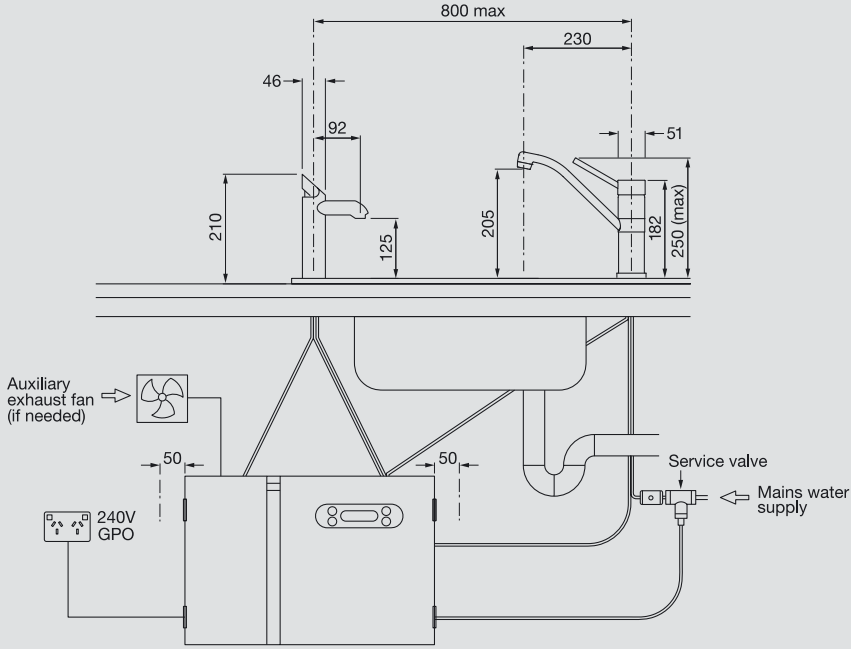
## Oversize handles



All models, except Residential Miniboil and Industrial models which have 'button' instead of 'handles', can be fitted with oversize handles to cater for those with restricted dexterity.

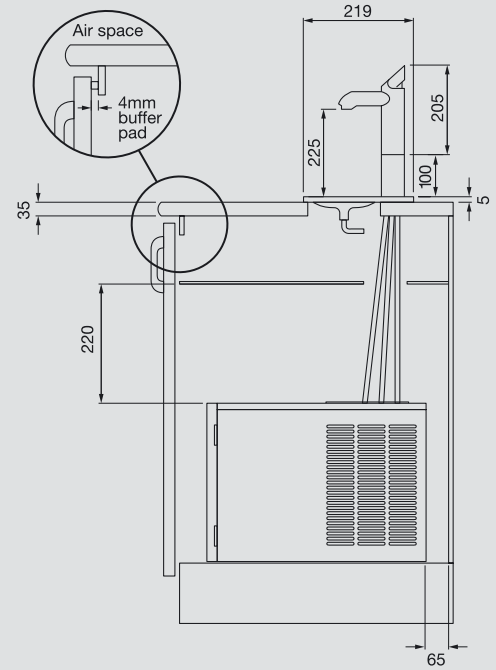
**Commercial Four-In-One Model**

Installation on sink



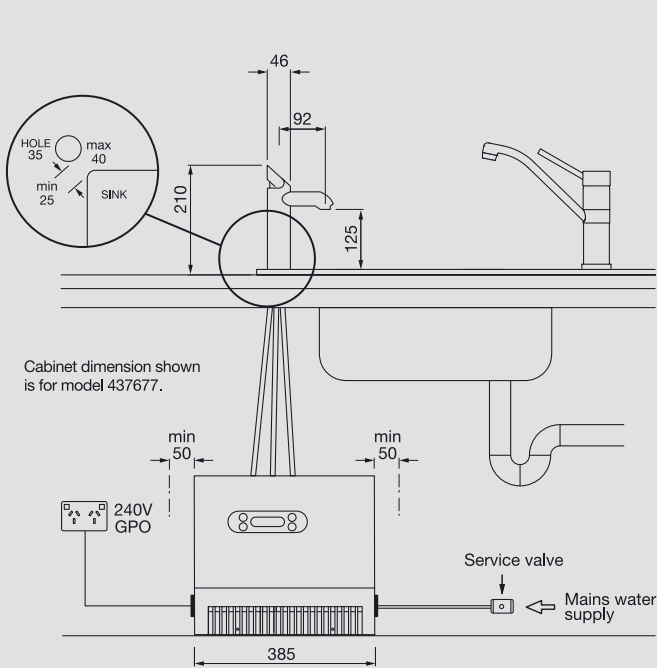
**Commercial Four-In-One Model**

Installation on front



**Residential Compact Model**

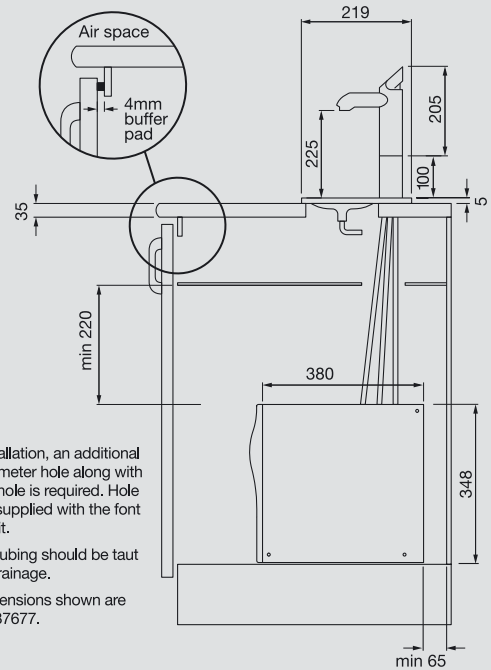
Installation on sink



Cabinet dimension shown is for model 437677.

**Residential Compact Model**

Installation on front



For front installation, an additional 108 mm diameter hole along with 35 mm Tap hole is required. Hole template is supplied with the front accessory kit.

Under-sink tubing should be taut for proper drainage.

Cabinet dimensions shown are for model 437677.



Instant Boiling Water

1800 42 43 44  
[www.zipindustries.com](http://www.zipindustries.com)

**Australia**

Zip Heaters (Aust) Pty Ltd  
(61 2) 9796 3100  
[www.zipindustries.com](http://www.zipindustries.com)

**New Zealand**

Zenith Heaters  
(64 9) 838 8612  
[www.zenithheaters.co.nz](http://www.zenithheaters.co.nz)

**United Kingdom**

Zip Heaters (UK) Ltd  
(44) 870 608 8888  
[www.zipheaters.co.uk](http://www.zipheaters.co.uk)

Also in Europe (Germany),  
Africa (South Africa), and  
Asia Pacific – Hong Kong,  
Singapore, Thailand,  
Taipei, and China.

Notice. Products shown in this brochure are protected by international patents including patent 2005230702 and patent 2005222440. Copyright 2010 Zip Industries (Aust) Pty Ltd. Zip reserves the right to change product specifications without notice. Whilst every endeavour is made to ensure accuracy no responsibility is taken for any errors or emissions in data. The terms “Zip”, “HydroTap”, “Hydroboil”, and “Power Pulse” are trade marks.



**Acknowledgements**

Accessories supplied by Top3 by Design – [www.top3.com.au](http://www.top3.com.au)  
Sinks supplied by Abey – [www.abey.com.au](http://www.abey.com.au)  
Industrial kitchen by courtesy Sheldon Interiors – [www.sheldon.com.au](http://www.sheldon.com.au)  
Furniture (page 19) supplied by Insitu Furniture – [www.insitufurniture.com.au](http://www.insitufurniture.com.au)