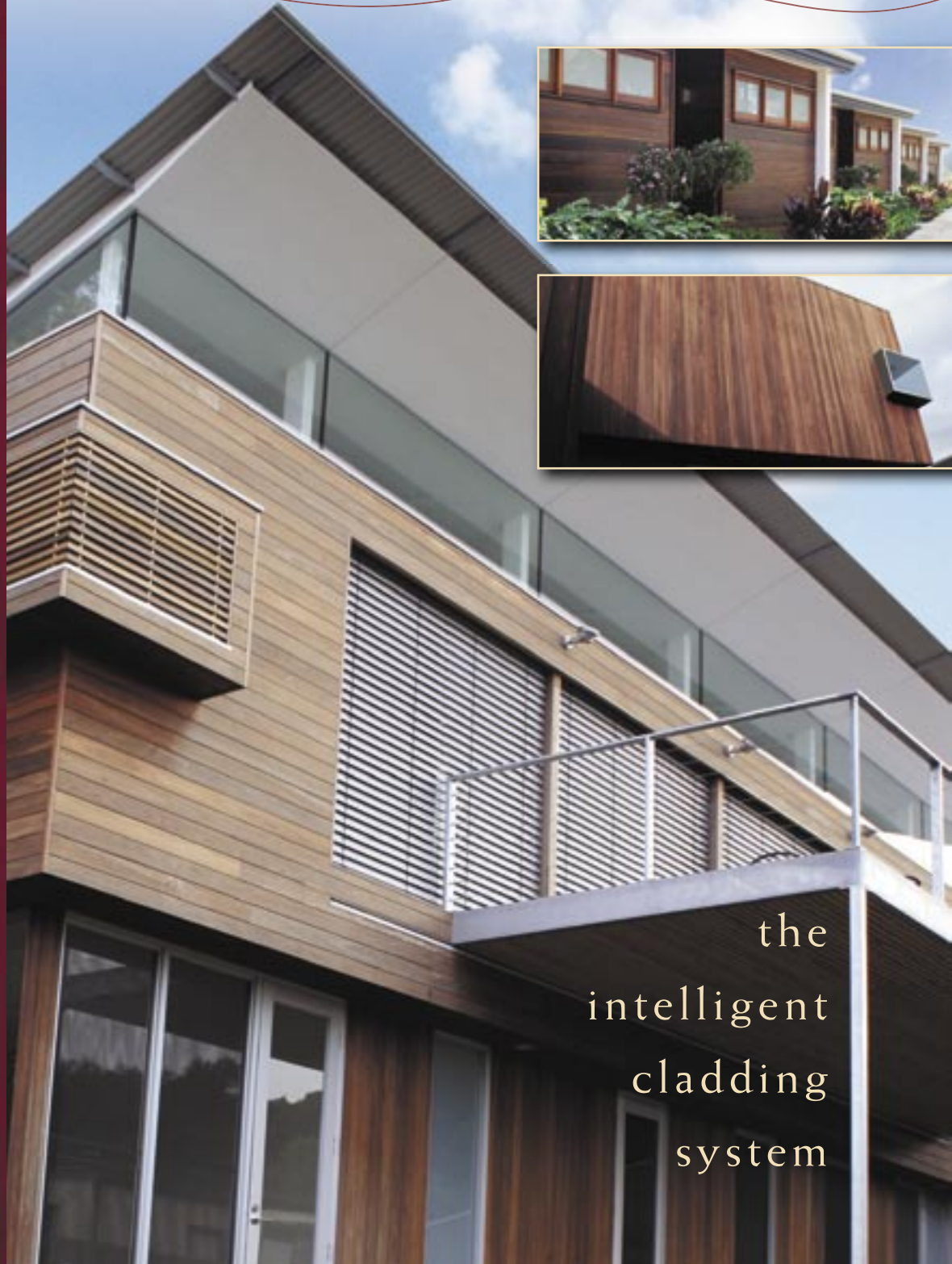


Expression CLADDING

a point of difference



the
intelligent
cladding
system

WOODFORM
ARCHITECTURAL

*high end
residential*

*commercial
feature walls*

*highlighted
design
elements*

*prestige
apartments*

beach houses

what is expression cladding?

Expression Cladding is a natural timber cladding system which comprises precision machined tongue and groove profiles, proprietary cornerstops and endtrims manufactured from Durable Hardwoods.

benefits

- Adds the breathtaking beauty of timber to prestige projects in a sleek, contemporary manner.
- The natural timber dimension gives life, depth and warmth for which there is no substitute when combined with steel, stone and glass.
- Carefully designed for long life durability in every detail.
- Produced in naturally Durable Hardwoods.
- Features concealed fixing, proprietary flush fitting trims and furniture grade machining for a high quality finished result.
- Straight forward installation by standard trades people.
- Can be combined with flooring, screening and decking in the same species to carry a consistent theme through the project.

standard of quality

Expression Cladding profiles are precision machined to a furniture grade finish, requiring virtually no further sanding prior to applying surface finishes. All timber is visually graded to our Natural Select grade which comprises min. 2/3 select and max. 1/3 standard according to AS 2796.2 We ensure the stability of our timber by kiln-drying to 9-13% M/C.

durability

All of our hardwoods fall into the durability class 1 or 2 above ground category according to AS 5604.

All profiles are detailed for efficient water run-off and the absence of surface penetrations (concealed fixing) prevents points of decay on face of board.

fire resistance

Spotted Gum and Jarrah satisfy the definition of fire-retardant-treated timber as specified in AS 3959.

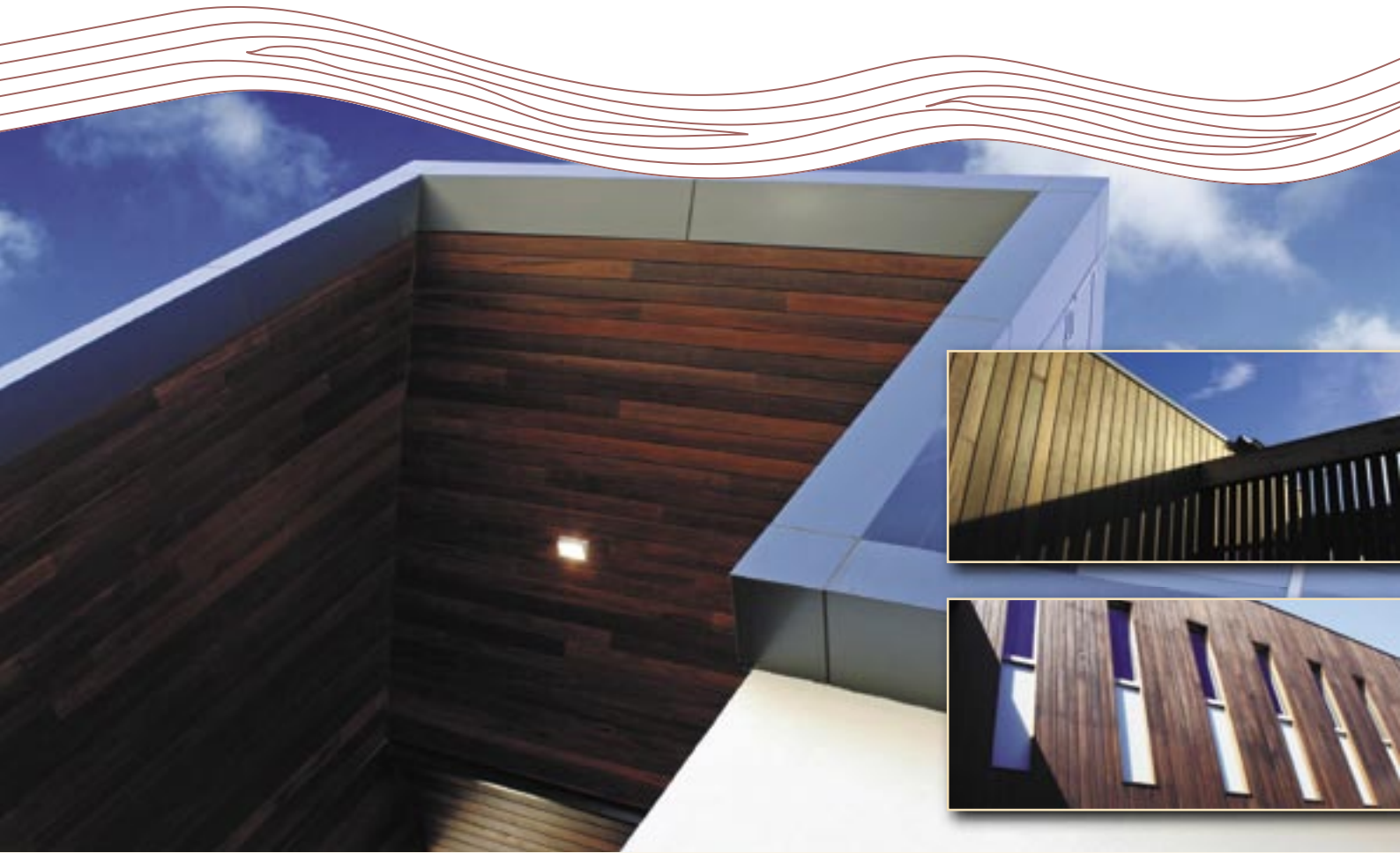
environmental sustainability

Woodform Architectural is committed to sustainable building practices to ensure the long term survival of our planet with minimal environmental impact. Responsibly harvested timber from carefully managed resources is one of the most sustainable building products known to man. We, at Woodform Architectural undertake to source timber from reliable resources to uphold our policy. More information on specific species is available.

Due to its concealed fixing method, Expression Cladding is fully recyclable with the ability to be demounted and reconfigured elsewhere.

a
powerful
design
tool

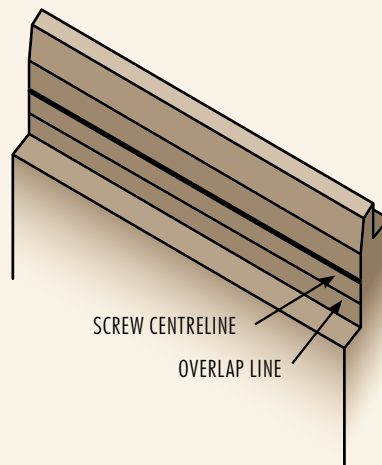
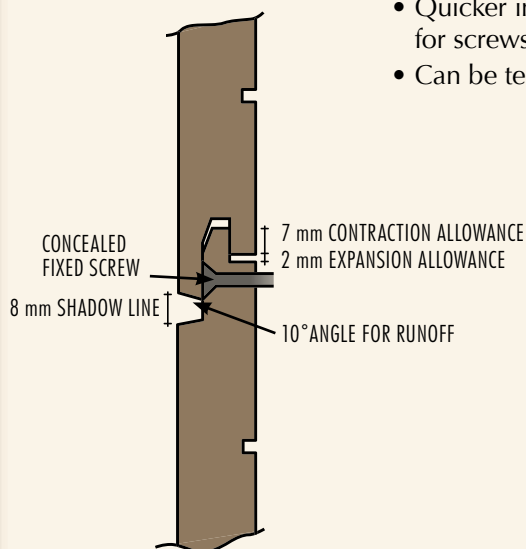




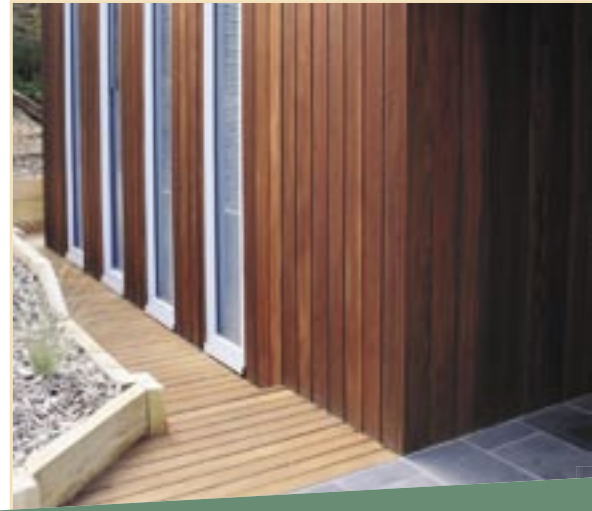
sorrento profile

benefits of new screw-fixed tongue and groove

- More secure fixing of board with screws as opposed to nails.
- A 2 mm expansion joint helps to prevent boards buckling off walls in high moisture conditions.*
- Quicker installation with clearly marked lines for screws and the overlap point.
- Can be tek-screwed to steel stud frames.



*Ask for advice in these conditions.



project
gallery
residential



timber selection

JARRAH

BLACKBUTT

PACIFIC TEAK

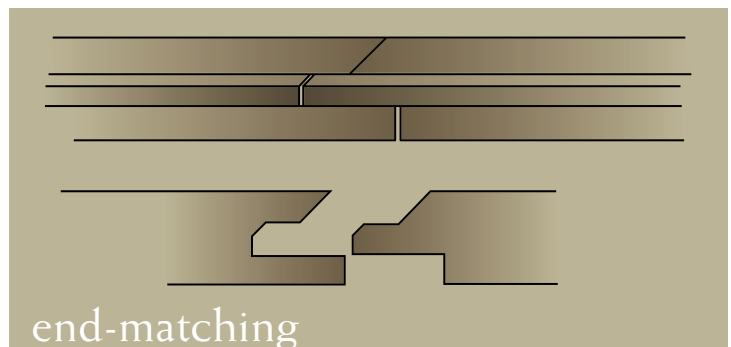
IRONBARK

SPOTTEDGUM

For detailed descriptions on individual species, request a timber data sheet. All species are subject to availability, always choose a second option.

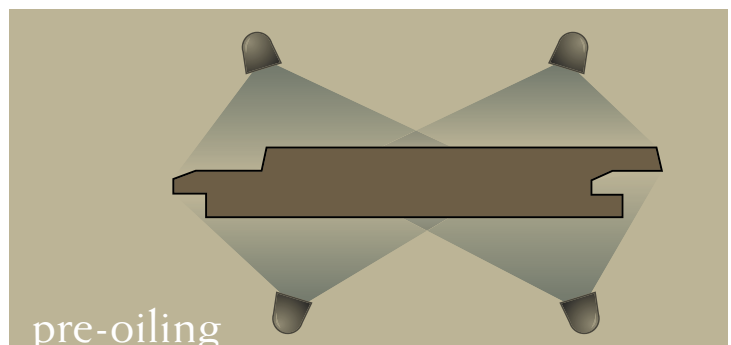
Colours are reproduced as accurately as printing allows. Some variation in timber colour may occur.

labour saving options



end-matching

- no need for end-trimming, mitring and fitting of each board giving a significant labour saving.
- special profile can be used vertically or horizontally.
- exceptionally neat finish and maintains long term structural integrity.
- massive reduction of on-site wastage, can be joined off-stud.



pre-oiling

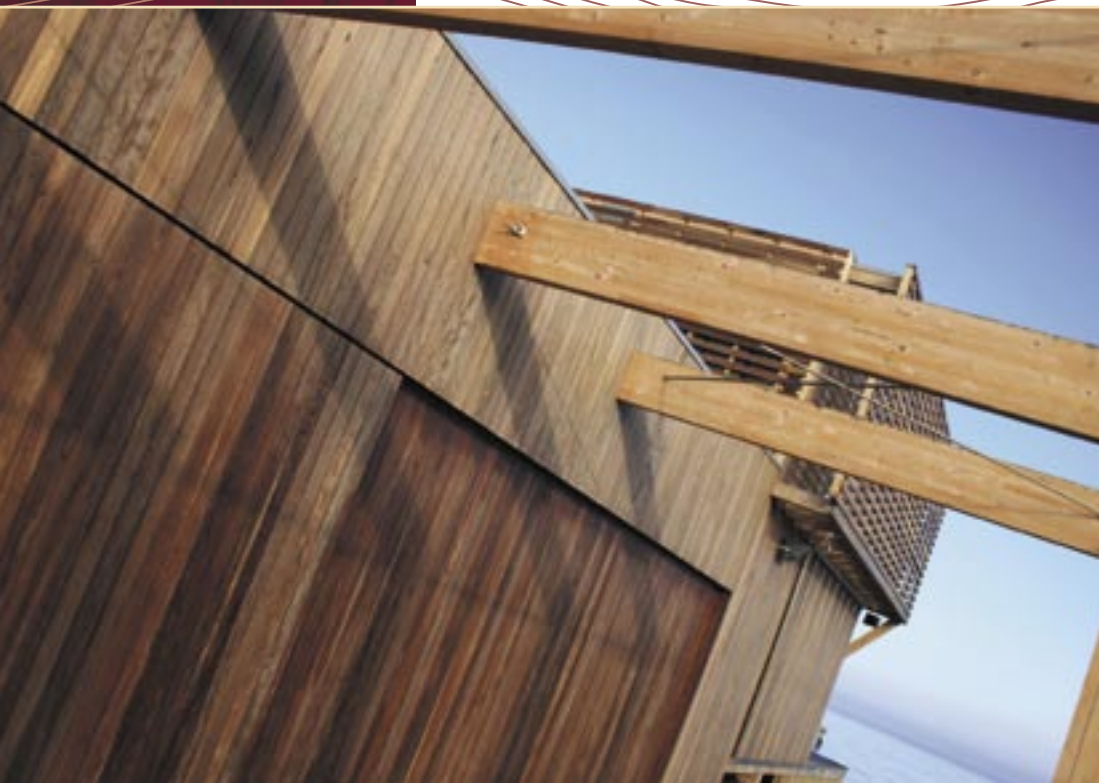
- eliminates process of oiling each board all round on-site prior to installation.
- provides some protection for the timber in construction.
- gives the penetrating oil a chance to soak in prior to handling the timber.
- the deeply penetrating oil working from front and back of the board improves dimensional stability.

golf club



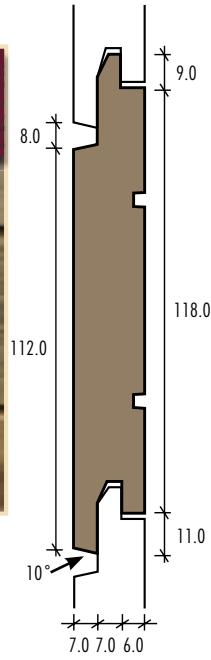
project gallery

lifesaving club





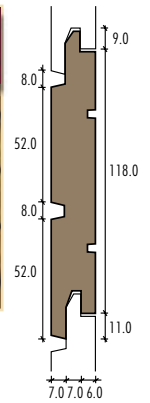
Sorrento profile has a fine symmetrical shadowline with slightly angled edges. This allows for runoff and can be used in vertical or horizontal applications. The first choice in modern architecture.



profile specifications



Identical to standard Sorrento with a centregroove to create a narrow board look.



profile customising

We offer the service of adapting standard profiles and creating new profiles to suit your specific requirements. Talk to us about the unique effect you would like to achieve.

Old profiles available on request.

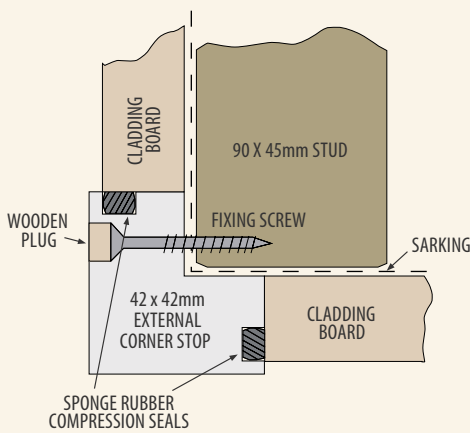
PROPRIETARY STOPS

SECTIONAL VIEW

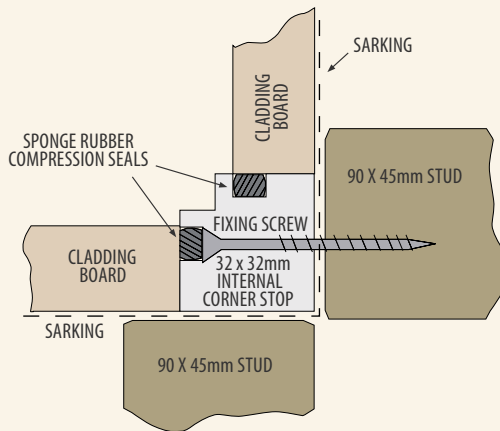
external corner stop

internal corner stop

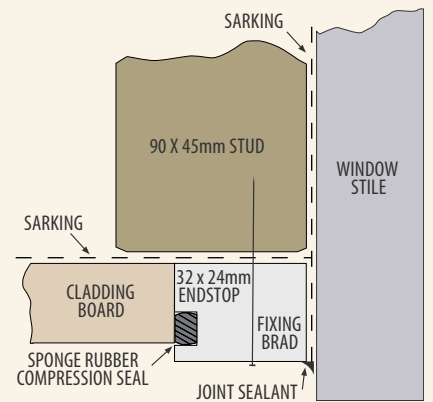
endstop



NOTE: INSTALL AFTER CLADDING



NOTE: INSTALL BEFORE CLADDING



NOTE: INSTALL BEFORE CLADDING

benefits of new stop profiles

- Improved protection for the vulnerable end grain.
- A more substantial weather seal.

- The extra 4 mm thickness takes the eye away from the cladding/stop junction, requiring less fussy detailing onsite.
- The external corner stop now has no special framing requirements, making installation far easier.



EXTERNAL CORNER STOP



INTERNAL CORNER STOP



ENDSTOP



Expression CLADDING

specification & installation manual

Make sure you have read and understand our specification & installation manual for Expression Cladding timber before specifying.

free design assistance

Talk to us about your specific detailing requirements eg. flashing detail, butting up to other materials, non standard structures.

free cost estimates

Send us your plans for a preliminary costing. Great to hand over to builders to ensure accurate tendering.

WOODFORM ARCHITECTURAL

9 Gray Street Golden Square Bendigo Victoria 3555
Mail to PO BOX 1323 Kangaroo Flat Victoria 3555
Facsimile 03 5447 1166 ABN 77 576 908 782

Free call 1800 008 828 Email sales@woodformarchitectural.com.au

Attention Architects and others,
Experience our efficient sample service. Call us to discuss your specific requirements encompassing all aspects of our product range and receive your free samples by mail within days.

the fourth dimension

With Compliments



Bring your project to life with a consistent timber dimension.