

**BOLD • SHARP • WIDE**

# urbanedge\_deck 242™

exciting addition !

With a growth of 40% per year in Europe it is the composites that are heralding the future for creative designers and architects. Combining a range of materials and carefully designed and manufactured to specification, urbanedge\_deck 242 is one such product. A product of and for the modern lifestyle. The wide board is an exciting powerful new composite decking. Clean urban design profiles with the sharp delineation of patterns retained in both the Fine and Coarse profiles. The boards are double sided and the profiles can be mixed should the highlight suit the project. The structural design of the board ensures spans of 600mm and combined with the hidden fasteners - which act as spacers - provide real cost savings. The response to the wide board and the designer profile is one of enthusiasm. The visual impact and outstanding quality has been the motivation to find a project that will reward the creative vision.

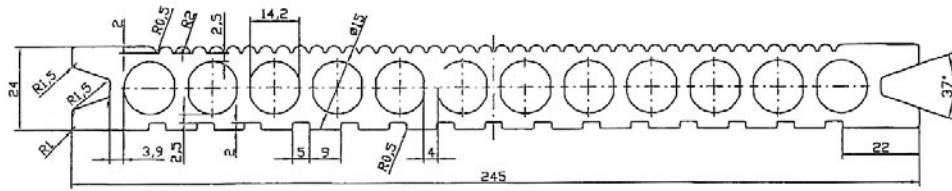


**OPTION 1** The traditional layout of boards with a space in between each board is easily achieved with the hidden fastening system. Accurate moulded clips [note there are 2 kinds] firmly lock the boards down and at the same time provide the spacing and ultimately the symmetry that sets a quality project apart. The entire system is accurately designed and manufactured.

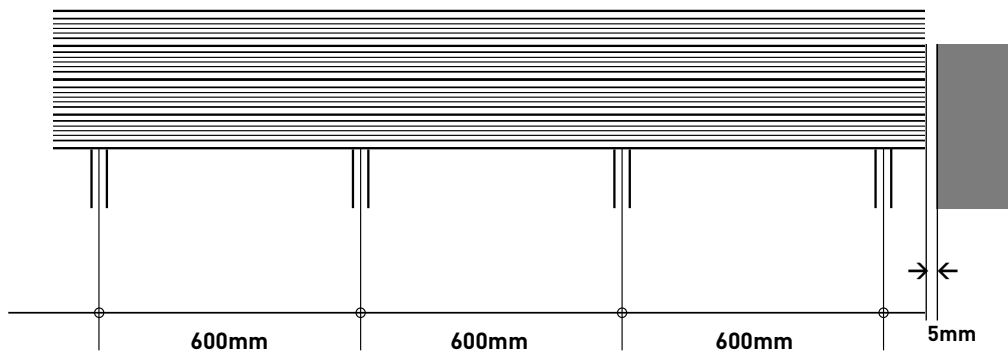
**OPTION 2 Flexi-Seal System** - An innovative design and creative application using a rubber flexi-seal, precisely moulded, that fits into the board recess and prevents objects falling through and helps prevent shoe heels from being trapped. Visually the black flexi-seal creates a stunning dynamic. The moulded flexi-seal and the clip have been designed and manufactured to work together in combination with the urbanedge\_deck242 creating a unique decking system.



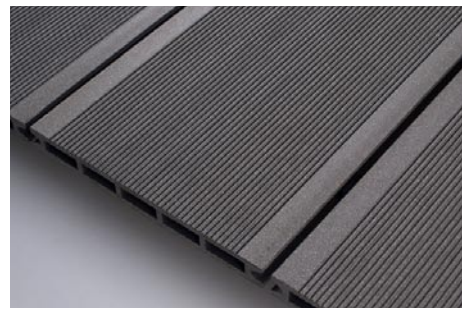
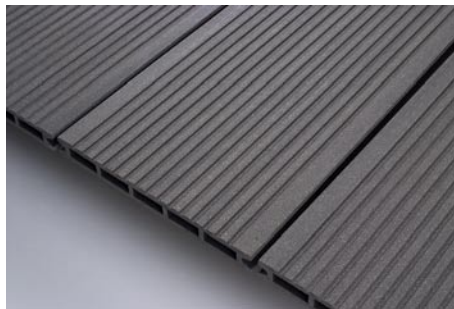
## Mechanical Specifications - dimensions are in mm



## Fixing Centres



## 2 Geometric Design Profiles - Bold and Fine



**Size**

242mm x 25mm

**Spans**

600mm on-centre

**Lengths**

5.4metre

**Weight**

3.96kg/lineal metre

**Composite**

60% wood fibre [sustainable forests]  
40% polyethylene [post-industrial polymers]

**Finish**

Brushed surface

**Colours**

Ash Grey - Bahama Brown

**Cut & Shaped**

Use of current carpentry tools

**Fixing**

Concealed fixing -  
moulded plastic and stainless steel

**Care and Performance**

When required sweep, clean with water or water and detergent. No sanding or applying of oil or surface treatment is required nor recommended.

For further information call: P 08 8447 0420 info@lemessurier.com.au www.lemessurier.com.au