

quantum xp[®] quality speaks for itself

Quantum XP[®] windows and doors open a new era in aluminium.

The patented Van Door sealing system helps create superior levels of quality, durability and practicality. Major improvements in thermal insulation, reduce heating and cooling costs and at the same time minimise dust, condensation and noise.

Quantum XP[®] also gives aluminium a fresh aesthetic look – the 55mm sash enhances the clean lines of contemporary homes and gives the solid feel of timber in more traditional homes.

The Quantum range has the flexibility to suit all types of building design. The robust high end features mean Quantum windows and doors can be confidently used in the harshest cold, marine, desert or tropical environments.

So take a fresh look at aluminium and build Quantum XP[®] quality into your home.

quantum xp[®]

Quantum XP[®] Windows

Awning	69
Casement	73
Premium Sliding	77

Quantum Doors

Sliding	81
Sliding Stacker	85

awning windows



eye to the future

When you're looking for quality and style make sure you're looking out at the world through Quantum XP® Awning Windows.

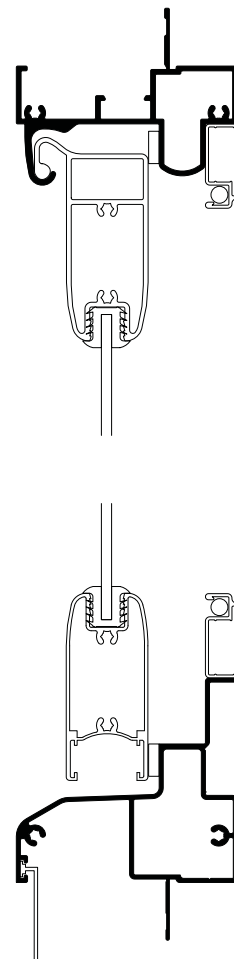
Maximising space and light with contemporary, clean designs awning windows are great for creating a sense of size. Perfect for showing off the view.

On a practical level, high quality optional stainless steel chain winders stop windows slamming, while the hood protects against the elements.

features & benefits

- 1 Energy Efficiency Options
Trend® Thermashield® in various glazing styles are available to help reduce energy consumption. Trend® Thermashield® means greater control, bigger savings and most importantly one less thing to worry about. Energy efficient options to u-value of 4.0 and SHGC 0.37 are available for Quantum XP® Awning window.
- 2 Acoustic options
SoundMizer® acoustic solutions in various STC ratings, are available to STC 39 for Quantum XP® Awning window. SoundMizer® acoustic solutions can reduce aircraft, highway traffic, railway and other annoying noise problems. For information or technical details contact Trend®.
- 3 Key Lock Chain Winder
Quantum XP® Awning window winder mechanism is designed specifically for high performance, security and reliability. With a Polesium™ cover and base combined with a stainless steel chain for long life and reliability, the XP winder can be used in even the harshest environment without worry of corrosion. The robust mechanisms are mounted securely to the window with a concealed 4 point fixing.

Keyed lock is standard for added security.
- 4 Continuous Hinge Hood
The sash is protected from the weather by a continuous hinge hood that supports the sash and keeps the rain where it belongs on the outside.
- 5 Glazing
Quantum XP® Premium sash is also available in 16mm double glazing for energy efficiency applications. Acoustic solutions are also available to high STC ratings.
- 6 Frames
Quantum XP® Awning Premium frame is 65mm with the window sash 55mm wide. Quantum XP® has a truly solid look, reminiscent of timber, and is extremely popular in both traditional and contemporary house designs.
- 7 Window Placement
Care should be taken with locating opening awning windows in pedestrian traffic areas.
- 8 Protective Wrapping
Protective wrapping for delivery to site is a standard for all Quantum XP® products.
- 9 Options
Easy to fit flyscreens can be fitted and removed from the inside. Wide range of powdercoat finishes available including timber powdercoat finishes.



ordering details

All windows are illustrated as viewed from outside. Codes shown are for plain windows. Manufactured from 65mm aluminium extrusion. The first two numbers of code indicate approximate height, the last two numbers indicate approximate width.

Sash Style Options:

Standard option is:

Eg window code QPA0606

O indicates Ovolo sash style with Ovolo

Glazing Bar. Eg window code QOPA0606CL

T indicates Thermashield® double glazed sash

style. Eg window code QTPA0606

N indicates Sentinel sash style.

Eg window code QNPA0606

M indicates Acoustic sash style (SoundMizer®)

Eg window code QMPA0606

Bar Options:

CL indicates Colonial Bar.

Eg window code QPA0606CL

FED indicates Federation Bar.

Eg window code QPA0606FED

Configuration Options:

A indicates Awning

F indicates Fixed

AA indicates Awning\Awning

AF indicates Awning\Fixed

FA indicates Fixed\Awning

FF indicates Fixed\Fixed

AAA indicates Awning\Awning\Awning

AFA indicates Awning\Fixed\Awning

FAF indicates Fixed\Awning\Fixed

FFF indicates Fixed\Fixed\Fixed

T after the size indicates a Transom

General:

Black hardware is supplied as standard

No sill reveal to 2100 high windows

* Refer to Special Products on page 129 for Bar Layout Options

quantum[®] awning windows

STUD OPENING WINDOW		666	906	966	1146	1256	1626	1856	2226	2456	2706
		610	850	910	1090	1200	1570	1800	2170	2400	2650
656	600										
		QPA0606	QPA0608	QPA0609	QPA0611	QPA0612	QPAF0616	QPAF0618	QPAF0622	QPAFA0624	QPAFA0627
996	940										
		QPA0906	QPA0908	QPA0909	QPA0911	QPA0912	QPAF0916	QPAF0918	QPAF0922	QPAFA0924	QPAFA0927
1086	1030										
		QPA1006	QPA1008	QPA1009	QPA1011	QPA1012	QPAF1016	QPAF1018	QPAF1022	QPAFA1024	QPAFA1027
1256	1200										
		QPA1206	QPA1208	QPA1209	QPA1211	QPA1212	QPAF1216	QPAF1218	QPAF1222	QPAFA1224	QPAFA1227
1426	1370										
		QPA1406	QPA1408	QPA1409	QPA1411	QPA1412	QPAF1416	QPAF1418	QPAF1422	QPAFA1424	QPAFA1427
1856	1800										
		QPA1806T	QPA1808T	QPA1809T	QPA1811T	QPA1812T	QPAF1816T	QPAF1818T	QPAF1822T	QPAFA1824T	QPAFA1827T
2091	2035										
		QPA2106T	QPA2108T	QPA2109T	QPA2111T	QPA2112T	QPAF2116T	QPAF2118T	QPAF2122T	QPAFA2124T	QPAFA2127T
2091	2035										
		QPA2106	QPA2108								

notes

Hinged across the top, the sash of the Quantum XP[®] awning windows swings out from the bottom, giving your home good ventilation – even in wet weather. The sash design offers a wide viewing area, while its excellent sealing qualities ensure added climate control.

In gusty conditions, the sturdy chain winder mechanism prevents the window slamming.

* Also available in Colonial and Federation Bar styles.

The opposite page are window codes for Quantum XP[®] Premium products (55mm sash). For information on double-glazing or wind ratings, please contact Trend[®] Windows & Doors Sales Representative.

casement windows



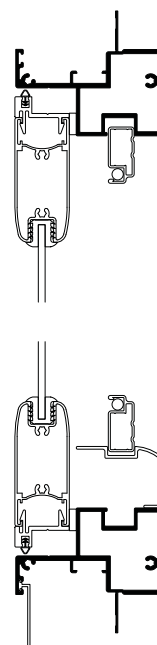
make a statement

If you're planning to make a bold statement, Quantum XP® Casement windows may be precisely what you're looking for.

Their classic design brings character and romance to any home. Strong angular lines created by the premium 55mm sash gives a solid feel reminiscent of timber with all the strength and practicality of top quality aluminium.

features & benefits

- 1 Energy Efficiency Options
Trend® Thermashield® in various glazing styles are available to help reduce energy consumption. Trend® Thermashield® means greater control, bigger savings and most importantly one less thing to worry about. Energy efficient options to u-value of 5.9 and SHGC 0.25 are available for Quantum XP® Casement window.
- 2 Acoustic options
SoundMizer® acoustic solutions in various STC ratings, are available to STC 39 for Quantum XP® Casement window. SoundMizer® acoustic solutions can reduce aircraft, highway traffic, railway and other annoying noise problems. For information or technical details contact Trend®.
- 3 Operator
Quantum XP® Windows foldaway operator mechanism is designed for ease of operation and folds neatly into the housing when not in use. The arms are solid die-cast metal and the housing is coated in E-gard (Multi stage coating process that produces a greater, more durable finish). The robust mechanism is mounted securely to the window with concealed 6 point fixing. Operating handle is available in black or white only. Stainless steel arms are optional.
- 4 Side Sash Latch
Handle is operated by a 180° rotation from open to closed position and is concealed within the window frame. Operation pulls in sash for a tighter seal against the weather and improved security. Side sash latch is available in black or white only.
- 5 Opening
Casement allows a 90° opening for a wider viewing area and excellent ventilation control. The 90° opening makes it convenient for cleaning both sides of the sash.
- 6 Glazing
Quantum XP® Premium sash frames are available in 16mm double glazing for energy efficiency applications. Acoustic solutions are also available to high STC ratings.
- 7 Frame
Quantum XP® Casement frame is 65mm wide with a 55mm wide sash for greater strength and security. The sash has aesthetically pleasing lines and a smooth rounded profile that has a truly solid look. Reminiscent of timber, Quantum XP® Casement is extremely popular in both traditional and contemporary house designs.
 - Wind structurally rated to 1500Pa
 - Water pascals rated to 450Pa
 - Maximum sash height is 2035mm (Max height 2100)*
 - Maximum sash width is 850mm
 - Maximum sash width is 720mm for casement heights between 1800mm and 2035mm*
- 8 Window Placement
Care should be taken when locating opening casement windows in pedestrian traffic areas.
- 9 Protective Wrapping
Protective wrapping for delivery to site is a standard for all Quantum XP® products.
- 10 Options
Stainless steel hardware upgrade available.
Easy to fit flyscreens that can be removed from the inside.
Wide range of powdercoat finishes available including timber powdercoat finishes.
Also available in Colonial, Federation and Ovolo styles.



ordering details

All windows are illustrated as viewed from outside. Codes shown are for plain windows. Manufactured from 65mm aluminium extrusion. The first two numbers of code indicate approximate height, the last two numbers indicate approximate width.

Sash Style Options:

Standard option is:
Eg window code QPC0906
O indicates standard sash with Ovolo Glazing Bar. Eg window code QOPC0906CL
T indicates Thermashield® double glazed sash style. Eg window code QPTC0906

Bar Options:

CL indicates Colonial Bar.
Eg window code QPC0906CL
FD indicates Federation Bar.
Eg window code QPC0906FD

Configuration Options:

L indicates Left Hand Hinge
R indicates Right Hand Hinge
F indicates Fixed
LL indicates Left Hand\Left Hand
LR indicates Left Hand\Right Hand
LF indicates Left Hand\Fixed
RR indicates Right Hand\Right Hand
FR indicates Fixed\Right Hand

FF indicates Fixed\Fixed
LFR indicates Left Hand\Fixed\Right Hand
LLL indicates Left Hand\Left Hand\Left Hand
RRR indicates Right Hand\Right Hand\Right Hand
FLF indicates Fixed\Left Hand\Fixed
FRF indicates Fixed\Right Hand\Fixed
LRR indicates Left Hand\Right Hand\Right Hand
LLR indicates Left Hand\Left Hand\Right Hand
FFF indicates Fixed\Fixed\Fixed
T after the size indicates a Transom

* Refer to Special Products on page 129 for Bar Layout Options

quantum[®] casement windows

STUD OPENING WINDOW		666	776	906	1256	1626	1856	2226	2456	2706
		610	720	850	1200	1570	1800	2170	2400	2650
996	940									
1086	1030									
1256	1200									
1426	1370									
1856	1800									
2091	2035									
2091	2035									

notes

Quantum XP[®] Casement Windows is available in a Premium Sash featuring a substantial 55mm wide sash giving a strong and secure look reminiscent of timber. Ease of operation is facilitated by an operating mechanism specifically designed to fit and complement the Quantum XP[®] Casement window.

For information on double-glazing or wind ratings, please contact a Trend[®] Windows & Doors sales representative. Trend[®] Ovolo Individual Glazing Systems are available.

* Maximum sash width 720mm.

Also available in Federation and Colonial Bar styles.

* The opposite page are window codes for Quantum XP[®] Premium products (55mm frames)

sliding windows



slide into the future

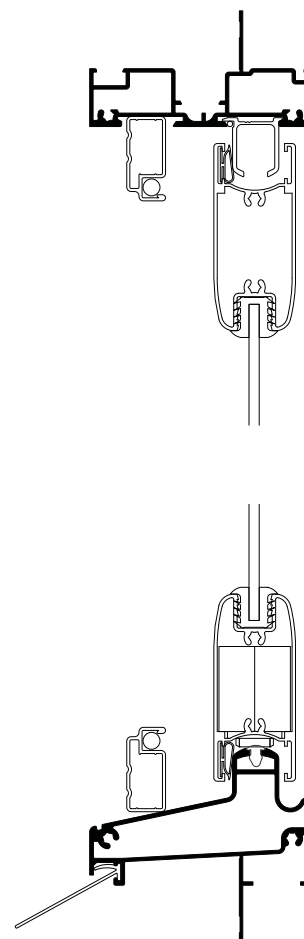
With its patented Van Door sealing system the Quantum XP® sliding windows is the number one choice when quality matters, giving your home a premium look with clean uncluttered lines that perfectly frame a view or garden.

Quantum XP® sliding windows guarantee a first class lifestyle that makes the most of warm summer evenings or winter sun.

Extra durable double rollers ensure the aluminium frames always glide smooth and true.

features & benefits

- 1 **Energy Efficiency Options**
Trend® Thermashield® in various glazing styles are available to help reduce energy consumption. Trend® Thermashield® means greater control, bigger savings and most importantly one less thing to worry about. Energy efficient options to u-value of 4.7 and SHGC 0.39 are available for Quantum XP® Premium Sliding window.
- 2 **Acoustic options**
SoundMizer® acoustic solutions in various STC ratings, are available to STC 39 for Quantum XP® Premium Sliding window. SoundMizer® acoustic solutions can reduce aircraft, highway traffic, railway and other annoying noise problems. For information or technical details contact Trend®.
- 3 **Security**
Quantum XP® Premium Sliding Window is available with an optional concealed integral ventlock which allows the window to be deadlocked while partly open to allow for ventilation. Optional deadlock and fire egress features also available.
- 4 **Fire Safety Egress**
Fire egress security screen pin system available which allows for rapid removal of barrier screens in the event of an emergency.
- 5 **Glazing**
Quantum XP® Premium sash frames are available in 16mm double glazing for energy efficient applications. Acoustic solutions are also available to high STC ratings.
- 6 **Frames**
Quantum XP® Premium sash frame is 65mm with the window sash 55mm wide. Quantum XP® has a truly solid look that is reminiscent of timber and is extremely popular in both traditional and contemporary house designs.
- 7 **Window Rollers**
The Premium range uses a heavy duty dual wheel system for smooth operation.
- 8 **Protective Wrapping**
Protective wrapping for delivery to site is a standard for all Quantum XP® products.
- 9 **Options**
Easy to fit tension loaded flyscreens can be fitted and removed from the inside. Wide range of powdercoat finishes available including timber powdercoat finishes. Also available in Colonial, Federation and Ovolo styles.



ordering details

All windows are illustrated as viewed from outside. Codes shown are for plain windows. Manufactured from 65mm aluminium extrusion & 55mm Sash material. The first two numbers of code indicate approximate height, the last two numbers indicate approximate width.

Sash Style Options:

Standard option is:

Eg window code QPSF0906

T indicates Thermashield® double glazed sash style. Eg window code QPTSF0906

M indicates Acoustic Option (SoundMizer®).
Eg window code QPMSF0906

Bar Options:

CL indicates Colonial Bar.

Eg window code QPSF0906CL

FED indicates Federation Bar.

Eg window code QPSF0906FED

Configuration Options:

SF indicates Sliding/Fixed

FS indicates Fixed/Sliding

SFS indicates Sliding/Fixed/Sliding

F indicated Fixed

T after the size indicates a Transom

* Refer to Special Products on page 129 for Bar Layout Options

quantum[®] premium sliding windows

		666	906	966	1146	1256	1626	1856	2226	2456	2706
		610	850	910	1090	1200	1570	1800	2170	2400	2650
STUD OPENING WINDOW	656										
	996										
	1086										
	1256										
	1426										
	1596										
	1856										
	2091										
	2035										

notes

For greater strength and security, Quantum XP[®] Windows are manufactured with a sturdy

65mm frame. Premium sash (55mm wide) has a truly solid look reminiscent of timber.

Also available in Ovolo, Colonial and Federation bar styles.

Vent locks are available but need to be requested on order.

For information on double-glazing or wind ratings, please contact a Trend[®] Windows & Doors sales representative.

sliding doors





strength of purpose

Want a better quality of life?

You'll appreciate the difference
Quantum® sliding doors
bring to your home.

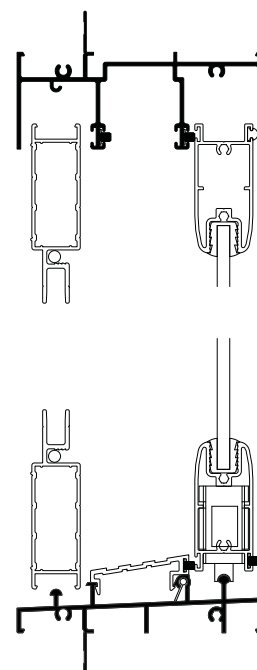
Sturdy top quality construction
and materials create one of the
strongest sliding doors available.

Gliding smooth and true, blending
outdoors seamlessly with indoors
- these sliding walls of glass add
a fresh dimension to any type
of home from contemporary
to more traditional designs.

Features include energy saving
options, matching screen or barrier
doors and a wide choice of colours.

features & benefits

- 1 Energy Efficiency Options
Trend® Thermashield® in various glazing styles are available to help reduce energy consumption. Trend® Thermashield® means greater control, bigger savings and most importantly one less thing to worry about. Energy efficient options to u-value of 3.0 and SHGC 0.41 are available for Quantum Sliding Door.
 - 2 Acoustic options
SoundMizer® acoustic solutions in various STC rating are available to STC 38 for Quantum Sliding Door. SoundMizer® acoustic solutions can reduce aircraft, highway traffic, railway and other annoying noise problems. For information or technical details contact Trend®.
 - 3 Locks
Sliding doors are fitted with double cylinder deadlock as standard
 - 4 Safety Glazing
Toughened Safety A Grade Glass with a visual motif at the mid point to provide added safety. Laminated Glass is used in all non standard door sizes. 18mm Double Glazing is available for energy efficiency requirements.
 - 5 Protected Rolling Track
An extruded aluminium splayed threshold protects both glass door and flydoor rolling tracks.
 - 6 Simple Access
The aluminium threshold features the Easyrider™ sill which is ideal for wheelchair access.
 - 7 Heavy Duty Rollers
Quantum door uses a heavy duty, double bogey roller system for smooth operation. The marine alloy aluminium carriage reduces the chance of corrosion ensuring a long and smooth operation.
 - 8 Frames
Quantum Door frame is 101.6mm wide with the sash 50mm wide. Reminiscent of timber, Quantum Sliding Door is extremely popular in both traditional and contemporary house designs.
- Maximum Door Height is 2700mm.
Maximum Door Panels 1500mm**
- 9 Interlockers
Five types of interlockers are available. Quantum Door rates to 2200 pascals (kPa) - structural.
 - 10 Optional Heavy Duty Barrier and Insect Screen Door
The sturdy extruded aluminium, external sliding flydoor is fitted with spring loaded acetal wheels that ensure the insect screen door stays on the track and opens smoothly.
 - 11 Build-In Accessories
 - 180° non-load-bearing couplers.
 - 135° non-load-bearing corner couplers.
 - 100mm aluminium architraves for replacement door installations.
 - Adjustable aluminium storm mould.
 - Extruded aluminium 180° mullion covers to hide load-bearing posts.
 - 12 Security
Quantum Sliding Door has a double parrot beak with a 2 point locking system. Striker plate is mounted with full fixing to jamb for added security.
 - 13 Protective Wrapping
Protective wrapping for delivery to site is optional for all Quantum sliding door product.
 - 14 Options
Colonial Bar, Federation Bar Layouts and Ovolo adaptor are available. Wide range of powdercoat finishes including timber finishes available.



ordering details

All doors are illustrated as viewed from outside. Codes shown are for plain doors. The first two numbers of code indicate approximate height, the last two numbers indicate approximate width.

Sash Style Options:

Standard option is:
Eg door code QXD2118
O indicates ovolo sash style.
Eg door code QOXD2118
T indicates Thermashield® double glazed sash style. Eg door code QTXD2118
M indicates Acoustic sash style (SoundMizer®).
Eg door code QMXD2118
S indicates Sump Sill.
Eg door code QSXD2118

Bar Options:

CL indicates Colonial Bar.
Eg door code QXD2118CL
FD indicates Federation Bar.
Eg door code QXD2118FD

Configuration Options:

XF indicates Sliding/Fixed
FX indicates Fixed/Sliding
FXF indicates Fixed/Sliding/Fixed
FXXF indicates Fixed/Sliding/Sliding/Fixed

General:

Black hardware is supplied as standard
Two and Three panels doors available as reverse to brochure. Four panel doors have a prefix of QXXD.

* Also available in Colonial, Federation and Ovolo design styles.

Note:

Door heights not available in all wind pascal ratings. For information on double-glazing, different glass types or wind ratings, please contact a Trend® Windows & Doors sales representative. Pa refers to Pascal rating (wind pressure).

* Refer to Special Products on page 129 for Bar Layout Options

quantum® sliding doors

STUD OPENING	1626	1856	2226	2456	3066
	1570	1800	2170	2400	3010
DOOR SIZE					
2756 2456 2156 2700 2400 2100	QXD2116	QXD2118	QXD2122	QXD2124	QXD2130
	QXD2416	QXD2418	QXD2422	QXD2424	QXD2430
	QXD2716	QXD2718	QXD2722	QXD2724	QXD2730

STUD OPENING	2768	3323	3668
	2712	3267	3612
DOOR SIZE			
2756 2456 2156 2700 2400 2100	QXD2127	QXD2132	QXD2136
	QXD2427	QXD2432	QXD2436
	QXD2727	QXD2732	QXD2736

STUD OPENING	3624	4364	4824
	3568	4308	4768
DOOR SIZE			
2756 2456 2156 2700 2400 2100	QXXD2135	QXXD2143	QXXD2148
	QXXD2435	QXXD2443	QXXD2448
	QXXD2735	QXXD2743	QXXD2748

sliding stacker doors





a better way of living

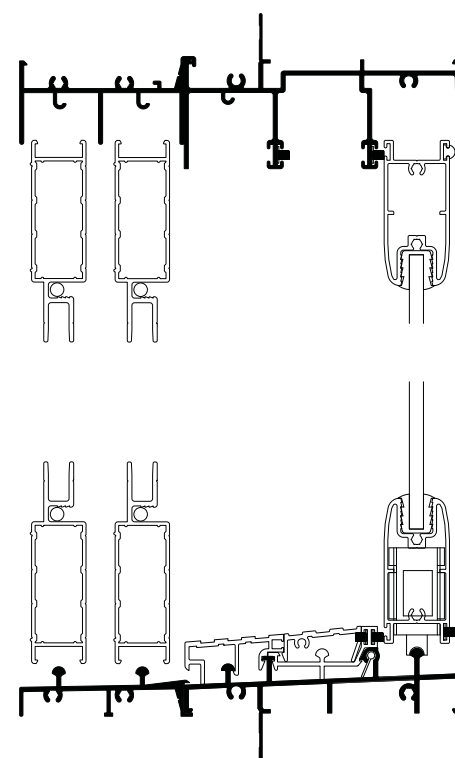
Quantum XP® Stacker doors offer top quality Alfresco living.

Superior craftsmanship, materials and fittings ensure lasting good looks. These glide-away glass walls provide broad expanses of glass that let the light flow in but can also create a stylish outdoor room that lets you live expansively.

features & benefits

- 1 Energy Efficiency Options
Trend® Thermashield® in various glazing styles are available to help reduce energy consumption. Trend® Thermashield® means greater control, bigger savings and most importantly one less thing to worry about. Energy efficient options to u-Value of 3.0 and SHGC 0.41 are available for Quantum Sliding Stacker Door.
- 2 Acoustic options
SoundMizer® acoustic solutions in various STC rating are available to STC 38 for Quantum Sliding Stacker Door. SoundMizer® acoustic solutions can reduce aircraft, highway traffic, railway and other annoying noise problems. For information or technical details contact Trend®.
- 3 Locks
Sliding Stacker Doors are fitted with double cylinder deadlock as standard
- 4 Safety Glazing
Toughened Safety A Grade Glass with a visual motif at the mid point to provide added safety. Laminated Glass is used in all non standard door sizes. 18mm Double Glazing is available for energy efficiency requirements.
- 5 Protected Rolling Track
An extruded aluminium splayed threshold protects both glass door and flydoor rolling tracks.
- 6 Simple Access
The aluminium threshold features the Easyrider™ sill which is ideal for wheelchair access.
- 7 Heavy Duty Rollers
Quantum door uses a heavy duty, double bogey roller system for smooth operation. The marine alloy aluminium carriage reduces the chance of corrosion ensuring a long and smooth operation.
- 8 Frames
Quantum Door frame is 101.6mm wide with the sash 50mm wide. Reminiscent of timber, Quantum Sliding Stacker Door is extremely popular in both traditional and contemporary house designs.

Maximum Door Height is 2700mm
Maximum Door Width is 4473mm (up to 3 panel door)
Maximum Door Width is 6390mm (up to 6 panel door)
- 9 Interlockers
Five types of interlockers are available. Quantum Door rates to 2200 pascals (kPa) - structural.
- 10 Optional Heavy Duty Barrier and Insect Screen Door
The sturdy extruded aluminium, external sliding flydoor is fitted with spring loaded acetal wheels that ensure the insect screen door stays on the track and opens smoothly.
- 11 Build-In Accessories
 - 180° non-load-bearing couplers.
 - 135° non-load-bearing corner couplers.
 - 100mm aluminium architraves for replacement door installations.
 - Adjustable aluminium storm mould.
 - Extruded aluminium 180° mullion covers to hide load-bearing posts.
- 12 Security
Quantum Sliding Stacker Door has a double parrot beak with a 2 point locking system. Striker plate is mounted with full fixing to jamb for added security.
- 13 Protective Wrapping
Protective wrapping for delivery to site is optional for all Quantum Sliding Stacker Door product.
- 14 Options
Colonial Bar, Federation Bar Layouts and Ovolo adaptor are available. Wide range of powdercoat finishes including timber finishes available.



ordering details

All doors are illustrated as viewed from outside. Codes shown are for plain doors. The first two numbers of code indicate approximate height, the last two numbers indicate approximate width.

Sash Style Options:

Standard option is:
Eg door code QKXD2123
O indicates ovolo sash style.
Eg door code QOKXD2123
T indicates Thermashield® double glazed

sash style. Eg door code QTKXD2123
M indicates Acoustic sash style (SoundMizer®).
Eg door code QMKXD2123
S indicates Sump Sill.
Eg door code QSKXD2123

Bar Options:

CL indicates Colonial Bar.
Eg door code QKXD2123CL
FD indicates Federation Bar.
Eg door code QKXD2123FD

Configuration Options:

XXF indicates Slide/Slide/Fixed
FXX indicates Fixed/Slide/Slide
FXXXXF indicates Fixed/Slide/Slide/Slide/Slide/Fixed

General:

Black hardware is supplied as standard

* Refer to Special Products on page 129 for Bar Layout Options

quantum® sliding stacker doors

STUD OPENING DOOR SIZE	2369	2714	3269	3614	4529
	2313	2658	3213	3558	4473
2756 2456 2156 2700 2400 2100					
	QKXD2123	QKXD2126	QKXD2132	QKXD2135	QKXD2145
	QKXD2423	QKXD2426	QKXD2432	QKXD2435	QKXD2445
	QKXD2723	QKXD2726	QKXD2732	QKXD2735	QKXD2745

STUD OPENING DOOR SIZE	4646	5336	6446
	4590	5280	6390
2756 2456 2156 2700 2400 2100			
	QKXD2146	QKXD2153	QKXD2164
	QKXD2446	QKXD2453	QKXD2464
	QKXD2746	QKXD2753	QKXD2764

notes

Trend® Aluminium Stacker Doors modern bold clean lines and elegant styling offers uninterrupted views perfectly. Quality construction ensures ease of use, long life and security. All stacker doors are fitted with Grade A safety glass.

Door heights not available in all wind pascal ratings. For information on double-glazing, different glass types or wind ratings, please contact a Trend® Windows & Doors sales representative.

* Also available in Colonial, Federation and Ovolo design styles.