

65AS Product Information

<http://www.stormtech.com.au/65as.html>

65AS

65mm Architectural Stainless Steel grate with stainless steel channel

Product Description

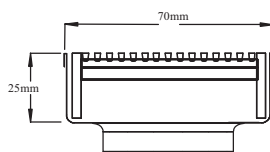
This innovative product removes water from the trench along its length using one or more outlets, improving efficiency of the drain, removing far larger quantities of water than would otherwise be possible.

When large format tiles are selected, Stormtech is an essential component, as it removes the need to crosscut the tiles.

When used in bathrooms, particularly shower areas the slope of the floor can be made into a uniform direction, without the multiple fall required when using central floor drains. This increases safety significantly by allowing the use of non-slip tiles, reducing the amount of water pooling on the floor surface and removing the need for steps, hobs and frames, thus reducing trip hazards.

The 304 stainless steel grate provides a prestige finish with design flexibility to allow it to be used in contemporary or classic styles.

Product Diagram



Product Applications

Bathrooms

Suspended Slabs and Balconies

Thresholds and Doortracks

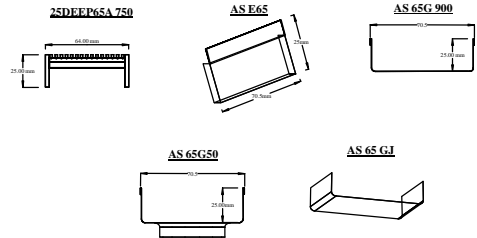
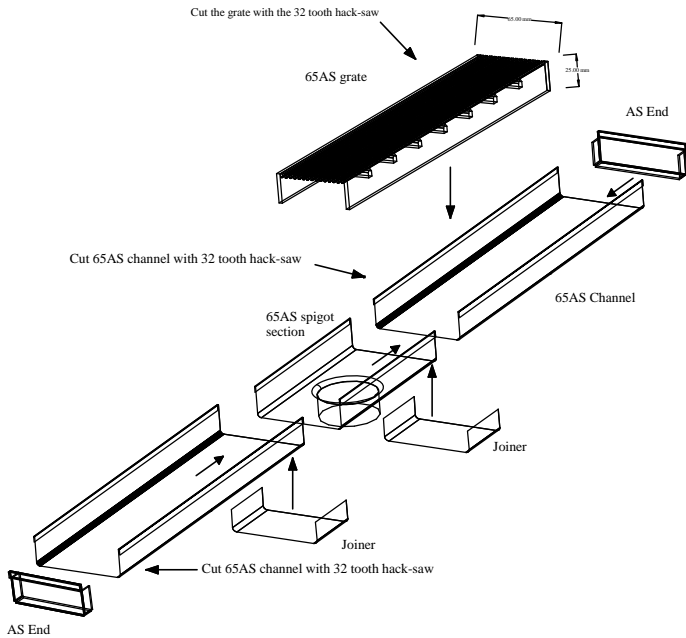
Commercial Applications and Large Scale Projects

Special Needs Access

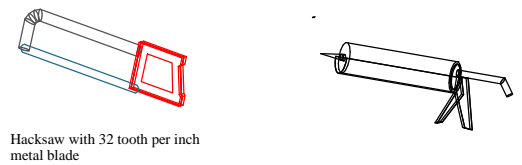
Pages:

1. assembly instruction
2. installation - timber substrate
4. installation - bathroom

65AS components

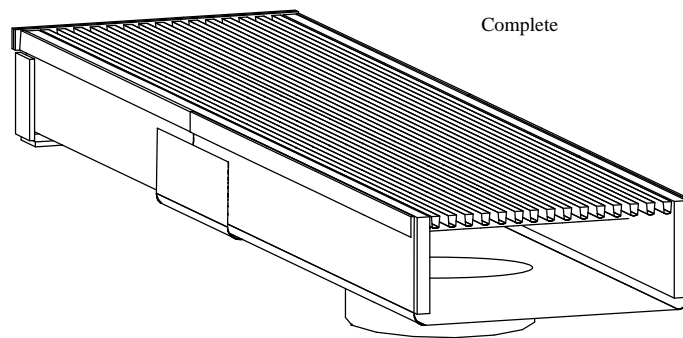


Specific tools required



Hacksaw with 32 tooth per inch metal blade

Use high quality silicone for fixing on ends, and joining sections. Ensure no gaps



STEP 1. lay out the components in the intended area of installation.

STEP 2. Position the AS65G50 spigot section above the pipe/outlet in floor. Ensure spigot fits inside the pipe. If spigot does not fit inside pipe, make an extension using PVC or stainless steel pipe.

STEP 3. Using a 32 tooth hack-saw, cut the AS65G channel to the size required, less the length of the spigot section.

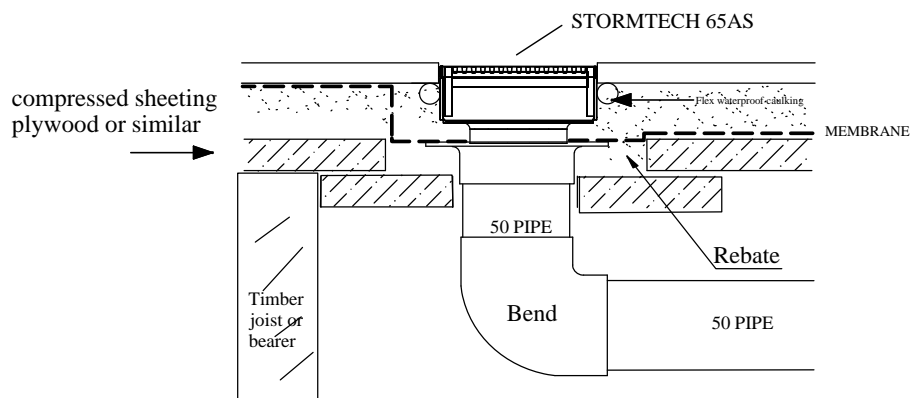
STEP 4. Check all measures & alignment.

STEP 5. Using a high quality silicone, join the channel and spigot sections with the joiners. Ensure no gaps, & no lips inside the channel. Repeat to fix on the end caps.

STEP 6. Using a 32 tooth hack-saw blade, cut the grate to size. Ensure the grate is not too tight in the channel to allow for easy removal.

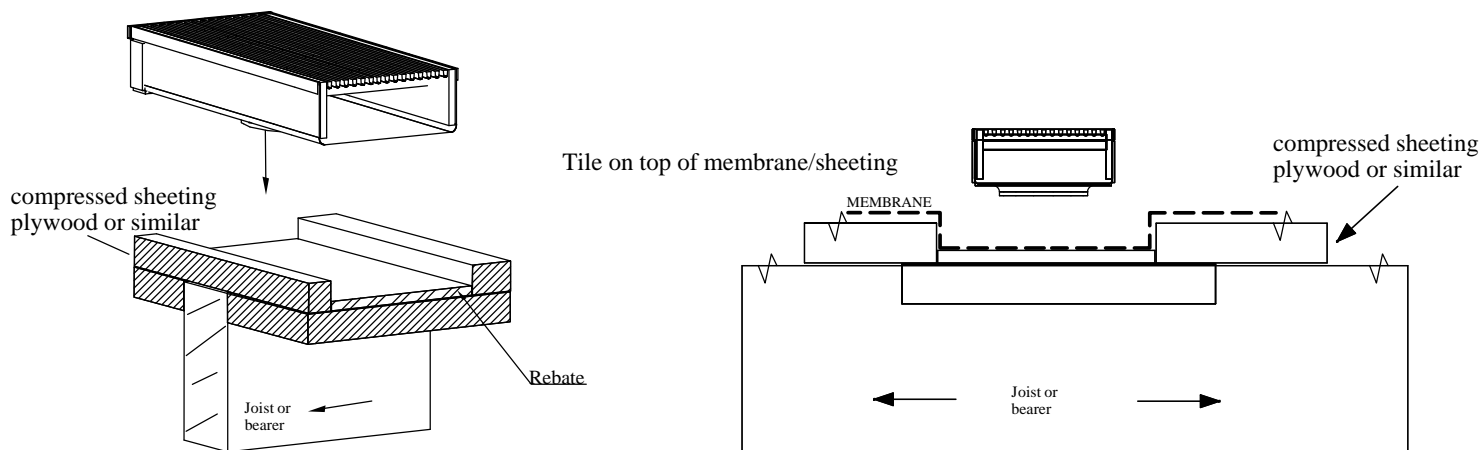
65AS TIMBER FLOOR/DECK Standard installation

When 65AS is running parallel to joist/bearer



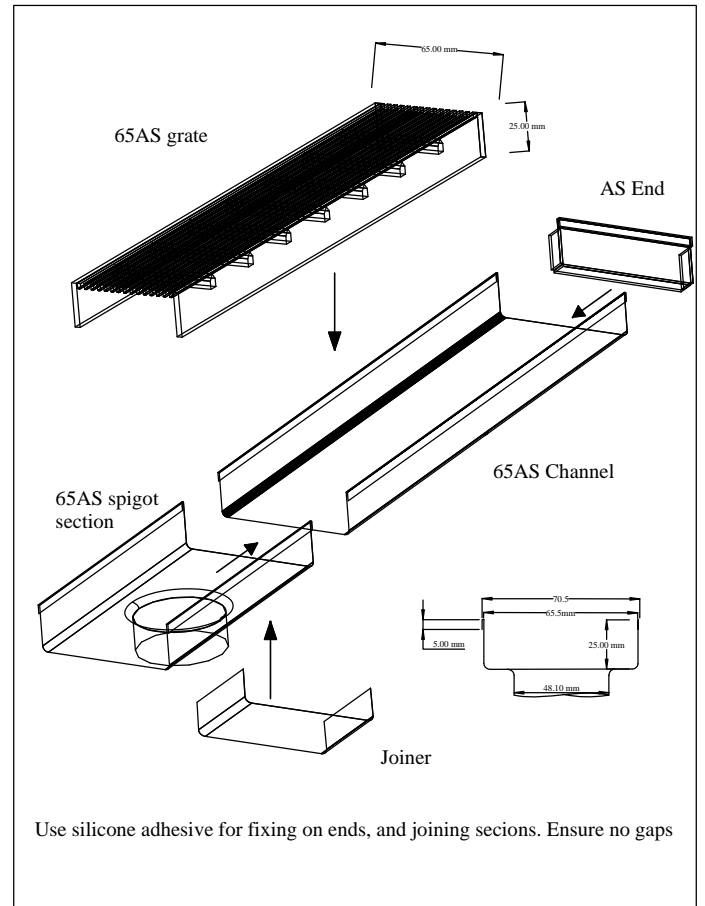
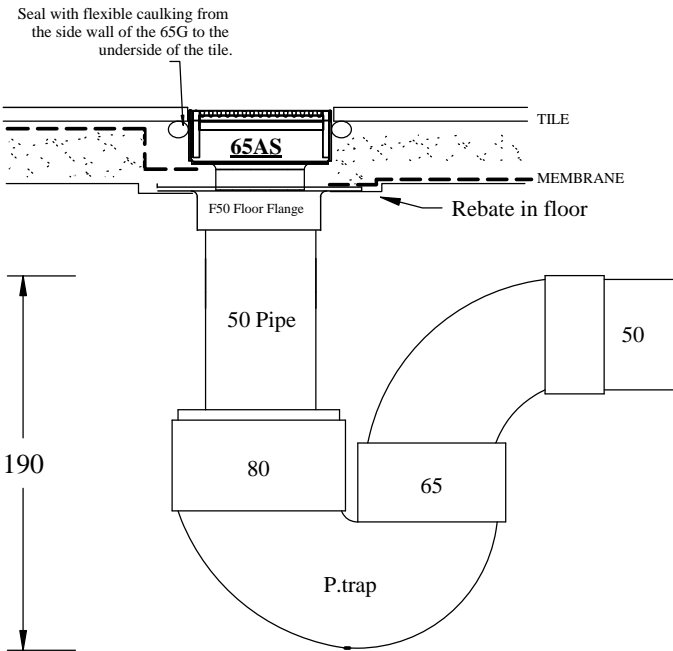
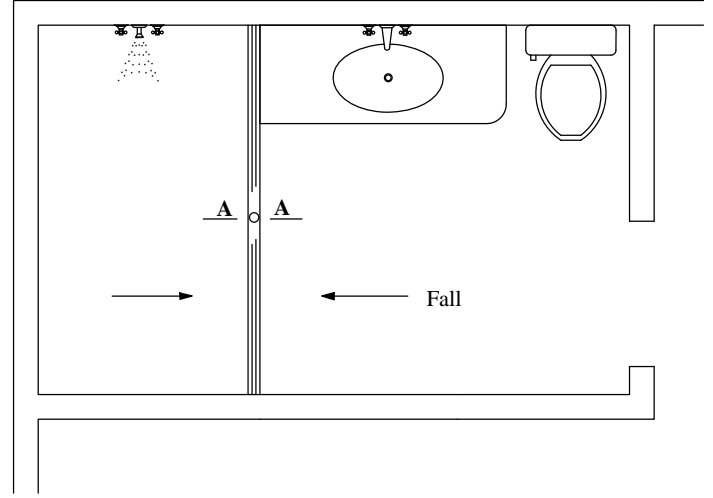
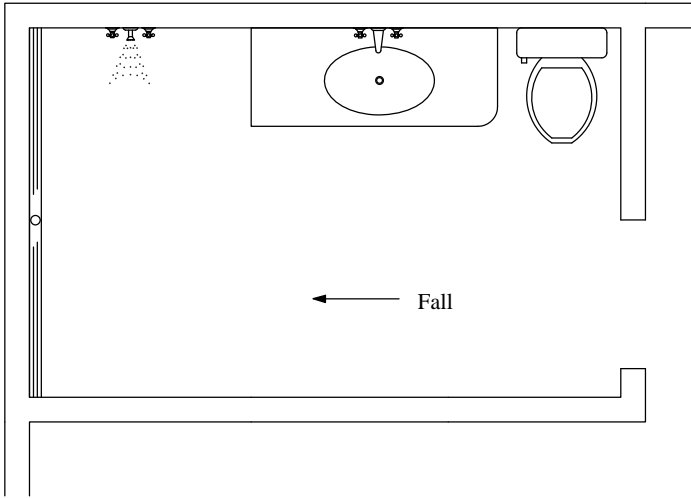
Provide access to drain pipes for cleaning

When 65AS is running perpendicular to joist/bearer



NOTE if waterproofing is required the rebate must be waterproofed before laying the 65AS system.

The 65AS spigot fits in a 50 DWV pipe and should drain 0.6 L/s..... We recommend these Spigots every 1m.. not more than 0.5m from end.
The loose fitting Spigots provide an outlet for moisture in the waterproof rebate and allows the Channel to be removed for safe keeping until tiling.



This design conforms with Plumbing Code AS3500

The loose fitting Spigot provides an outlet for moisture in the waterproof rebate and allows the Channel to be removed for safe keeping until tiling.

The 50mm Spigot fits in a 50DWV pipe and should drain 0.7 l/s

One bathroom tap delivers 0.3 litres/sec maximum.

Install the P.trap & fittings as per the Plumbing Code of Australia AS3500.

Patent 733361.