

GANG-NAIL®

TRUSS SPACER INSTALLATION INSTRUCTIONS

APPLICATION

The TrussSpacer provides a fast and accurate method for the spacing and temporary bracing of roof trusses during installation. The TrussSpacer is fixed to the truss prior to lifting truss on to top plates.

Code requirements:

Australian Standard for the installation of nailplated trusses AS4440-2004 requires that temporary ties are to be used on top chords at spacings no greater than 3000mm and on bottom chords at spacings no greater than 4000mm.

Do not stand on Bottom Chords until all temporary ties are in place.

INSTALLATION

1. Prior to lifting trusses, fix Truss Spacer to truss at one side of apex and at maximum spacing of 3000mm along top chords. This should be done with the Truss Spacer located firmly along the chord edge parallel to the truss as shown. Make sure the vertical leg of the TrussSpacer is on the face of the truss which will face the installer when on the roof.
2. When lifting the truss into position on the roof the vertical leg of the TrussSpacer should be facing the previously installed truss. The TrussSpacer can now be rotated 90° and temporarily hooked onto the previously installed truss. The truss being installed should be checked to ensure that it is plumb and straight.
3. Complete the fixing of TrussSpacer by hammering preformed teeth into the chord of adjacent previously braced truss.

IMPORTANT

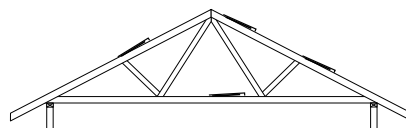
Do not stand on a truss that does not have all its TrussSpacers installed.

All permanent bracing, ties, hold downs etc must be fixed before loading the roof.

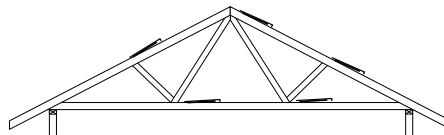
To conform with AS4440-2004 requirements, use Truss Spacers as below



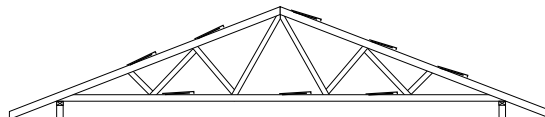
For trusses less than 6000 mm
1 TrussSpacer at apex - 1 per bottom chord



For trusses 6000 mm to 8000 mm
1 TrussSpacer at apex and mid point of each top chord -
1 at mid point of bottom chord



For trusses 8000 mm to 12000 mm
1 TrussSpacer at apex and mid point of each top chord -
2 per bottom chord

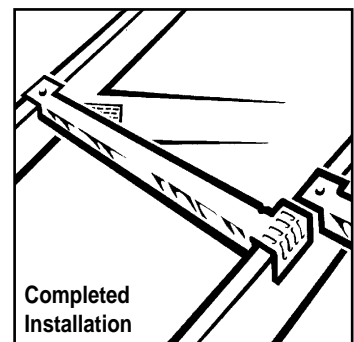
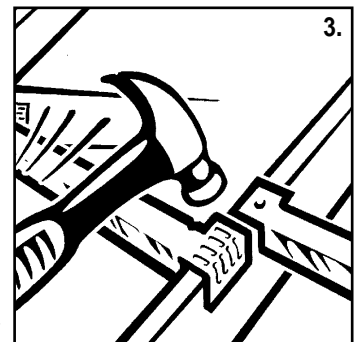
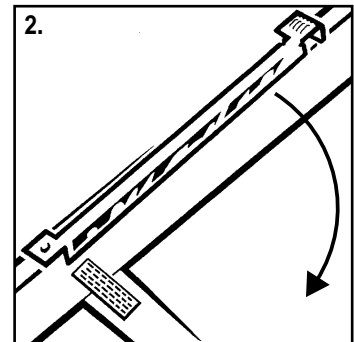
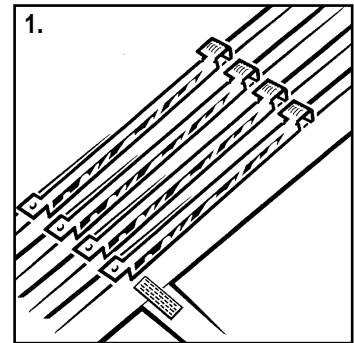


For trusses 12000 mm to 16000 mm
1 TrussSpacer at apex and at each top chord panel point -
3 per bottom chord



MiTek®
MiTek®

creating the **advantage**



Completed
Installation

*Patent 2002313378

To find out more about MiTek's products & systems, call your local state office or visit our web site: www.mitek.com.au

VIC (03) 8795 8888 NSW (02) 8525 8000 QLD (07) 3268 1666 SA (08) 8234 1326 WA (08) 6218 5945 NZ (09) 274 7109 MALAYSIA (603) 3176 7473

HOME OF GANG-NAIL BUILDING SYSTEMS