



# Simplicity 950 Series Stairlift

The Simplicity offers you the very essence of a stairlift without compromising on quality or style. Designed by a team of experts who have distilled all that a stairlift should be into a compact and unobtrusive unit; this simple yet stylish design delivers a safe and reliable way to overcome the problems posed by stairs.

Fixed to the stair not the wall, with four height settings and a maximum weight capacity of 120kgs, the Simplicity can accommodate a wide range of users and locations.

Designed primarily for straight staircases, it can also be supplied with a platform to accommodate up to three stairs from a 90 intermediate top landing.

Minivator is an ISO 9000 registered company which means you can be sure your lift has been produced to the most stringent safety and quality requirements.



## Slim Yet Spacious

The Simplicity is designed for maximum comfort with a wide cushioned seat and back rest. All seats are upholstered with flame retardant wipe clean fabric.

Space is at a premium in most hallways and the Simplicity is styled with this in mind, the result being an ultra slim folded unit that can be supplied with a hinged track if required.

## Simple To Store

When not in use your Simplicity can be folded up and, using your remote control, you can send it wherever you choose on its track, leaving the staircase clear for other users.

Thanks to its continuous charging strip, the lift can be parked at any point and the batteries will receive a top up charge.

## Safety As Standard

Every Simplicity comes with a clip seat belt as standard. Not only is your footplate covered with an anti-slip hard wearing carpet, it also has safety edges that will cause the lift to stop should it meet any obstruction during use.

Tucked safely away, the key switch can be easily accessed by folding the arm up. Removal of this key will enable you to disable the lift should you wish to prevent unauthorised use.



Minivator's unique toggle switch makes using the Simplicity straightforward.

The toggle can be positioned on the left or right to suit the user and can be operated by the hand or arm making it ideal for users with limited hand mobility. Simply move the toggle in your desired direction of travel.

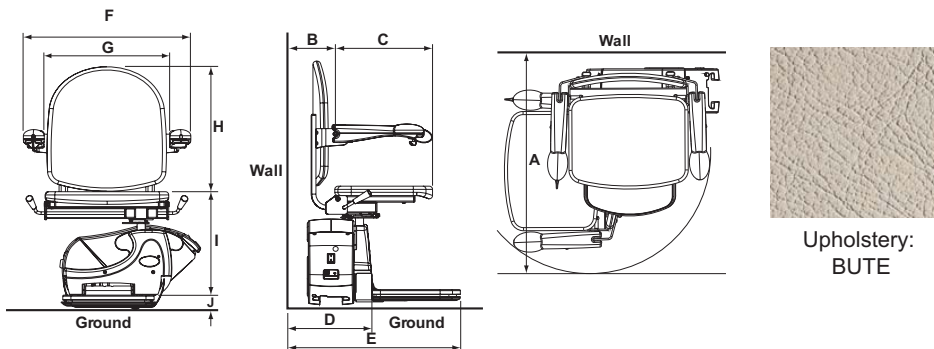
The Simplicity can also be operated from either of the two wall mounted remote controls supplied as standard.

With two large high visibility buttons, these remotes are wire free and can be used to park the lift after use or by an attendant to operate the lift.

## Technical Data

A	Minimum swivel radius	680mm
B	Minimum wall to seat back	75mm
C	Seat depth	420mm
D	Minimum folded width to footplate	285mm
E	Minimum open width to edge of footplate	580mm
F	Armrest width - external	625mm
G	Armrest width - internal	480mm
H	Seat back height	465mm
I	Footplate to seat height - minimum	390mm
	Footplate to seat height - maximum	490mm
J	Minimum footplate height	50mm
	Minimum track intrusion into staircase	160mm
	Minimum track intrusion into top landing (typical at 45°)	150mm*
	Weight capacity	120kg
	Speed	0.12m/sec (approx)
	Power supply	24v DC Battery
	Maximum staircase angle	50°

\* A 0mm track intrusion kit is available



Also available from Master Lifts



Dumb Waiters



Curved Stair Lifts



Pool & Spa Lifts



Low Rise Platform Lifts



Residential Lifts



Wheelchair Lifts

## Simple To Swivel

When you reach the top of the stairs dismantling is safe and secure.

Swivel levers are located on both sides of the seat: pushing either swivel lever down smoothly turns the seat through to 90° so you are facing the landing fully to allow you the best possible exit.



The footplate finishes flush with the landing making it easier for you to position your feet.

Sturdy ergonomically designed arms provide excellent support to aid standing if required at the top or bottom.



For free information from the Master Lifts office closest to you  
 phone: 1300 4 LIFTS  
 (1300 454 387)

[www.masterlifts.com.au](http://www.masterlifts.com.au)



**MASTER LIFTS CENTRES**