



**from
MASTER LIFTS**



Discover the benefits of an Easy rider stairlift

Designed with users in mind, the Minivator 1000 straight and 2000 curved stairlifts offer a safe, reliable, smooth way of overcoming the problems that some people encounter when faced with using their stairs.

Minivator, a quality registered company, prides itself on supplying superior service and quality solutions. Minivator has already helped thousands of people across the world gain access to areas in their homes and premises.

With additional powered features to choose from your lift can be tailored to meet your needs regardless of whether your staircase is straight or goes around corners.

Packed with features that make life easier



HAND HELD REMOTE CONTROL

You can send your stairlift to the top or bottom of the stairs, or call it back with the remote control handset.

Supplied as standard your remote controls can be wall mounted or handheld.



MANUAL SWIVEL

Minivator's manual swivel system is operated from specially designed levers located on both sides of the stairlift.

The manual swivel can be operated by pulling the lever up or pushing it down. This is especially useful if more than one person will be using the stairlift.



POWERED SWIVEL

With a choice of powered or manual swivel turning the Minivator stairlift at the top of the stairs couldn't be easier.

Simply retain pressure on the toggle switch at the end of your journey and the powered swivel will automatically turn you round to face the landing.



The Minivator 2000 track can be extended, space permitting. This means that the track would finish away from the stairs. This is particularly popular on landings allowing you to dismount directly onto the landing.



The footrest is designed to finish level with the landing making it easier to transfer feet from one surface to another.

Safety as standard



Rapid response safety sensors stop the stairlift if it meets with an obstruction during travel. Once the obstruction is removed the stairlift can continue on its journey.



POWERED FOOTREST

Finished with a durable anti-slip carpet the footrest folds away easily. Should you wish you may choose a powered footrest link that will automatically fold your footrest up or down when the seat is folded, removing the need to bend. Minivator stairlifts also come with a battery back up as standard meaning that you need not worry about being stranded in the event of a power cut.

Stand Up model



Seated Model

Perch Seat Model



Available in three variations to suit individual needs, all Minivator's seats are supplied with wipe clean, flame retardant upholstery in a choice of five colours. You can even replace upholstery later should you wish to change your colour scheme.



The perch seat (above), available on both the 1000 and 2000 stairlifts provides the ideal option for users with limited hip and knee flexibility.

one side whilst leaving the other free for side transfer if required.

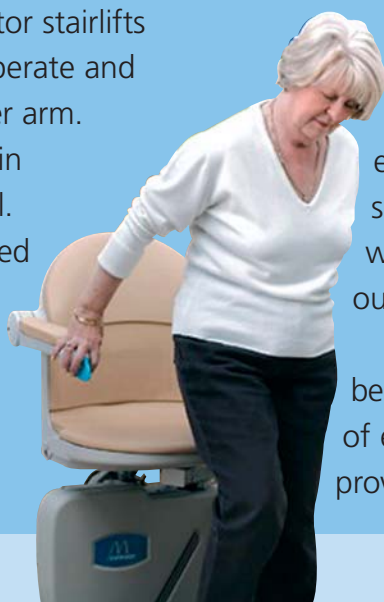
Compact and unobtrusive, the seat, arms and footrest can all be folded to maximise the free space in hallways, on the landing or the the stairs.



Unique toggle switch

Designed with input from occupational therapists, Minivator's operating paddle has been carefully located away from the surface of the armrest.

Minivator's unique paddle switch makes Minivator stairlifts simple and safe to operate and can be fitted on either arm. Just hold the paddle in the direction of travel. Even those with limited mobility or with painful conditions such as arthritis find Minivator stairlifts easy to operate.



This gives you an ergonomically styled surface to hold when getting in or out of the seat.

The arms can also be lifted independently of each other to provide support on

Internal bend



Minivator STAIRLIFTS

	1000	2000
A Minimum swivel radius	725mm ^{#A}	740mm ^{§A}
B Minimum wall to seat back	148mm ^{#B}	170mm ^{§B}
C Seat depth	400mm	400mm
D Minimum folded width to footplate	387mm	400mm
E Minimum open width to edge of footplate	674mm	668mm
F Armrest width – external	560mm	560mm
G Armrest width – internal	440mm	440mm
H Seat back height	420mm	420mm
I Footplate to seat height – standard seat	455mm min*	481mm min**
I Footplate to seat height – perch seat	530–880mm [¶]	700–800mm**
J Minimum footplate height	75mm	70mm
Minimum track intrusion into staircase	142mm	116mm
Minimum track intrusion into top landing – (typical at 45° ^f)	86mm	—
Weight capacity	137kg/21stone [†]	
Speed	0.12m/sec (approx)	
Power supply	24v DC battery	
Charger	240v	
Maximum staircase angle	56°	

[#]SpaceSaver™ seat A and B dimensions 687mm and 80mm respectively

[§]SpaceSaver™ seat A and B dimensions 740mm and 137mm respectively

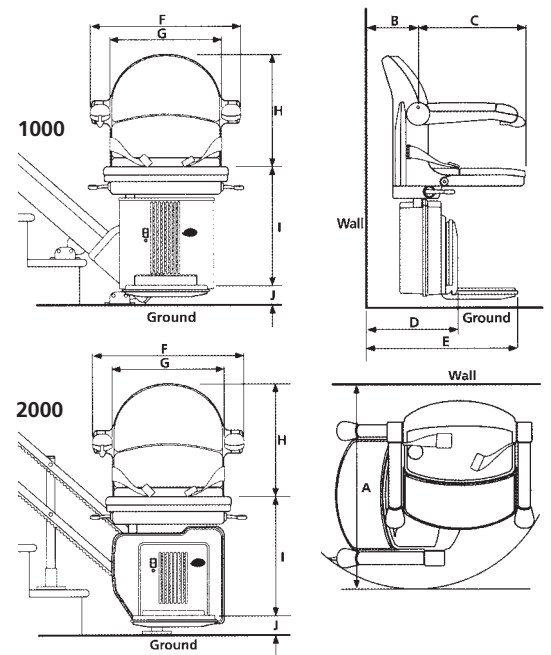
* 50mm increments + 20mm offset

[¶]25mm increments + 20mm offset

[†]Dependent on option chosen

** 3 x 25mm increments

^fMinivator 1000



COLOUR OPTIONS AVAILABLE FOR 2000 MODEL ONLY



Also available from Master Lifts



Dumbwaiters



Domestic elevators



Petite Model



Wheelchair access

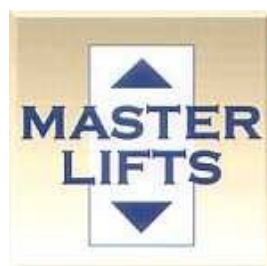


Vertical platform lifts



Pool lifts

Master Lifts Pty Ltd
Head Office:
 63 Yarraman Place
 Virginia Brisbane Qld 4014
 Ph: 07 3265 6344
 Fax: 07 3265 6044
 Freecall 1800 700 005



Your local Master Lifts office:

