

# Minivator

## Easy rider Outdoor stairlift



### ARE YOU HAVING PROBLEMS WITH EXTERIOR STAIRS?

Thanks to Minivator's Outdoor Stairlift, exterior stairs are no longer a problem.

Following the outstanding success of the Minivator 1000 Straight Stairlift, the Easy rider system has been developed for outside use too.

The waterproof standard luxury seat not only looks great, its ergonomic design provides a safe, reliable and comfortable way of overcoming the difficulties that can be caused by steps.



### EASE OF USE

The unique operational toggle requires only minimum pressure to use the lift making this an ideal solution for users with limited hand flexibility.

In addition remote controls stationed at the top and bottom of the lift allow it to be called from or sent to the opposite end of the track – great for multi-user locations.



### PRACTICAL

The slimline track and foldaway seat ensure that the stairway is left clear for pedestrians too.

This fully waterproofed unit also comes complete with a waterproof cover to help keep it clean.



FROM MASTER LIFTS

# Minivator OUTDOOR STAIRLIFT

## TECHNICAL DATA

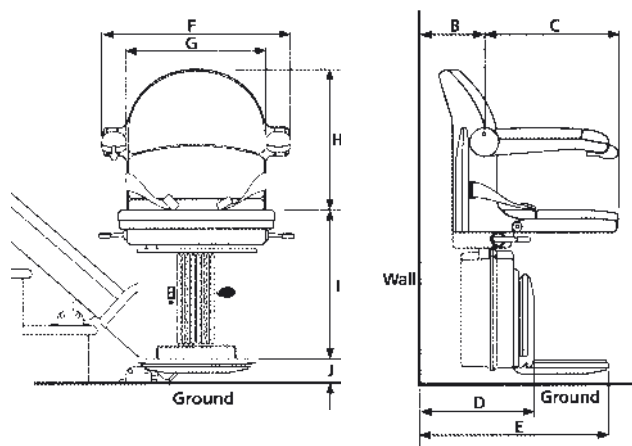
<b>A</b> Minimum swivel radius	725mm#A
<b>B</b> Minimum wall to seat back	148mm#B
<b>C</b> Seat depth	400mm
<b>D</b> Minimum folded width to footplate	387mm
<b>E</b> Minimum open width to edge of footplate	674mm
<b>F</b> Armrest width – external	560mm
<b>G</b> Armrest width – internal	440mm
<b>H</b> Seat back height	420mm
<b>I</b> Footplate to seat height – standard seat	455mm min*
<b>I</b> Footplate to seat height – perch seat	530–880mm†
<b>J</b> Minimum footplate height	75mm
Minimum track intrusion into staircase	142mm
Minimum track intrusion into top landing – (typical at 45°)	86mm
Weight capacity	137kg/21stone‡
Speed	0.12m/sec (approx)
Power supply	24v DC battery
Charger	240v
Maximum staircase angle	56°

# SpaceSaver™ seat A and B dimensions 687mm and 80mm respectively

\* 50mm increments + 20mm offset

† Dependent on option chosen

‡ 25mm increments + 20mm offset



Also available,  
Minivator interior stairlifts



Minivator 1000



Minivator 2000

## Also available from Master Lifts



Dumbwaiters



Domestic elevators



Eurostar  
Vertical Platform



Wheelchair  
platform lifts



Petite Lift



Pool lifts

Your local Master Lifts dealer:



0804:1

## Master Lifts Pty Ltd

63 Yarraman Place  
Virginia Qld 4014

Tel: 07 3265 6344 Fax: 07 3265 6044

Email: [info@masterlifts.com.au](mailto:info@masterlifts.com.au) Website: [www.masterlifts.com.au](http://www.masterlifts.com.au)

Please be aware that actual colours may vary slightly from those shown here. All information is provided in good faith but does not constitute a guarantee. Minivator Limited reserves the right to alter designs and specifications without prior notice.