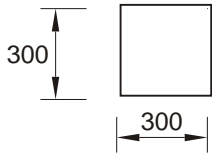
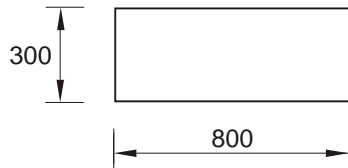


Warwickstone

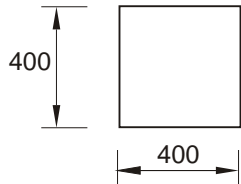
Tactile Pavars



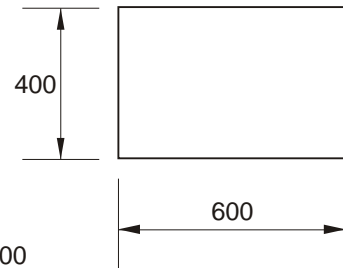
Warwickstone/
Satinstone Etched
40mm thick
(Ws300)



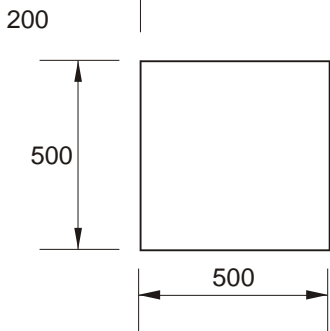
Warwickstone/
Satinstone Etched
40mm thick
(Ws834)



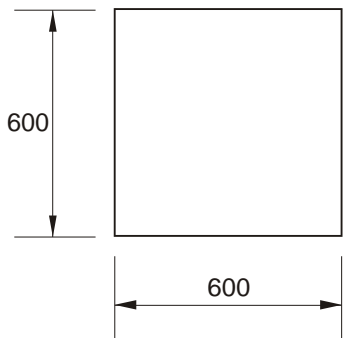
Warwickstone/
Satinstone Etched
40mm thick
(Ws400)



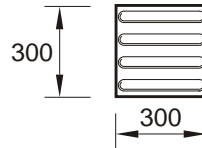
Warwickstone/
Satinstone Etched
40mm thick
(Ws644)



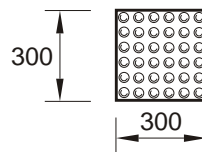
Warwickstone/
Satinstone Etched
40mm thick
(Ws500)



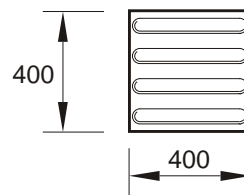
Warwickstone/
Satinstone Etched
40mm thick
(Ws600)



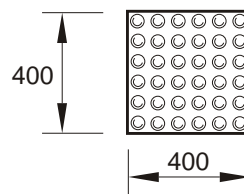
Directional Tactile
40mm thick
(DIRTACTAV) 300x300x40
(DIRTAC336) 300x300x60



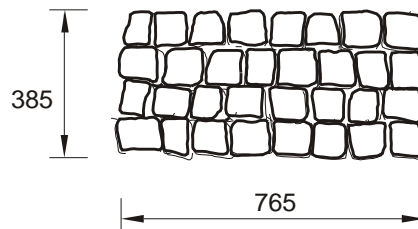
Cautional Tactile
40mm thick
(CAUTACPAV) 300x300x40
(CAUTAC336) 300x300x60



Directional Tactile
50mm thick
(DIRTAC448) 400x400x80
(DIRTAC445) 400x400x50
(DIRTACPAV) 400x400x40



Cautional Tactile
50mm thick
(CAUTAC448) 400x400x80
(CAUTAC445) 400x400x50
(CAUTACPAV) 400x400x40



Cobblestones
Depth = 40mm
(COBB)

Approx 100x100
size cobbles
in sheet format
for ease of laying

This range also
available in Honed
Warwickstone

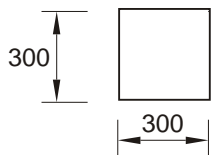
Chelmstone Pty Ltd, ABN: 57 492 899 602
10 Neon Street, Sumner Park QLD 4074
PO Box 354, Sumner Park BC 4074

Phone: (07) 3279 3177 Fax: (07) 3279 0301

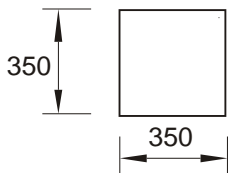
Email: info@chelmstone.com.au Web: www.chelmstone.com.au

New Satinstone

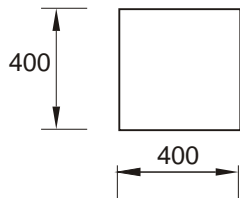
PAVERS CONTINUED



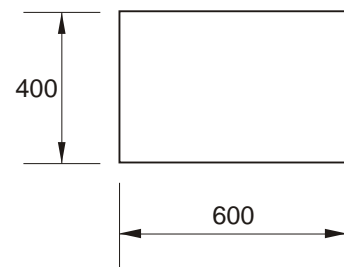
Satinstone
40mm thick
(SAT300)



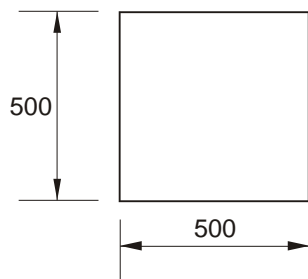
Satinstone
60mm thick
(SAT350)



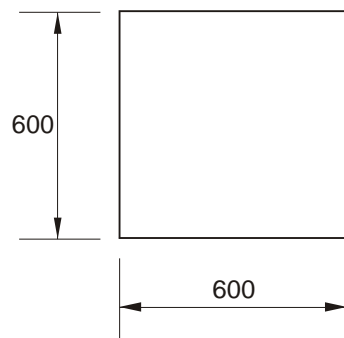
Satinstone
40mm thick
(SAT400)
Matching Bullnose Available



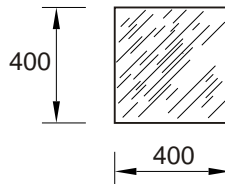
Satinstone
40mm thick
(SAT644)
Bullnose Available



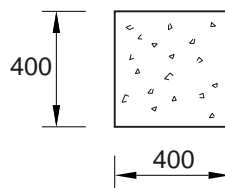
Satinstone
40mm thick
(SAT554)
Bullnose Available



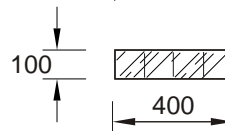
Satinstone
40mm thick
(SAT600)
Bullnose Available



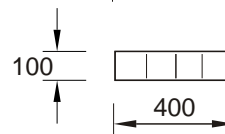
Quarriedstone
40mm thick
(QUA400) 400x400
(QUA600) 600x600
(QUA644) 600x400
(QUA634) 600x300
Matching Bullnose Available



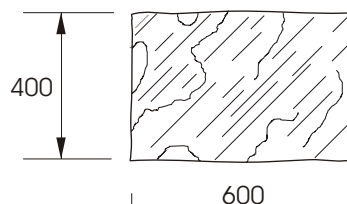
Limestone
40mm thick
(LIM400)
Matching Bullnose Available



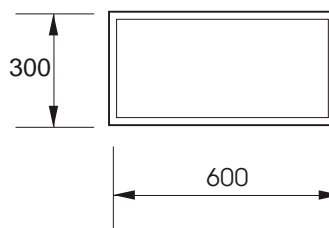
Quarriedstone Border
40mm thick
(QUABORDER)



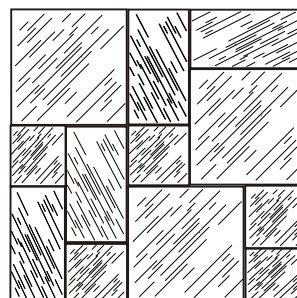
Limestone Border
40mm thick
(LIMBORDER)



Rivenstone
40mm thick
(RIV644)
Matching Bullnose Available



Ashlarstone
40mm thick
(ASH634)
Matching Square Edge
Bullnose Available



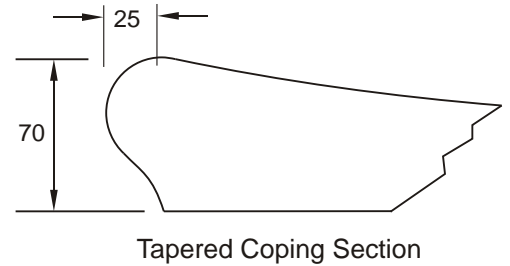
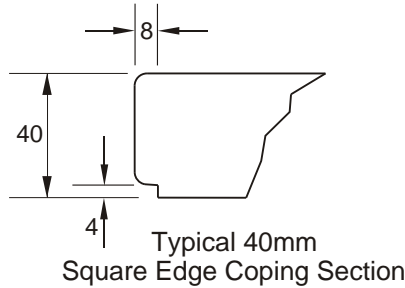
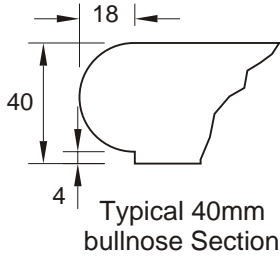
French Pattern
40mm thick
FRENCHPATTERN
1m2 Random Sizes
(595x595, 295x595, 295x295)

For full range of sizes refer price list

Pool Coping & Stepreads

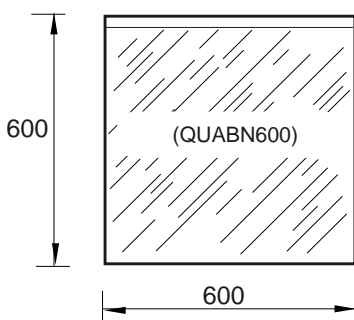
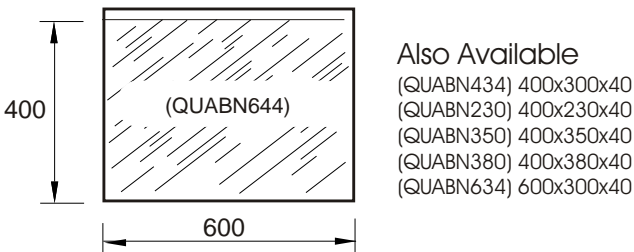
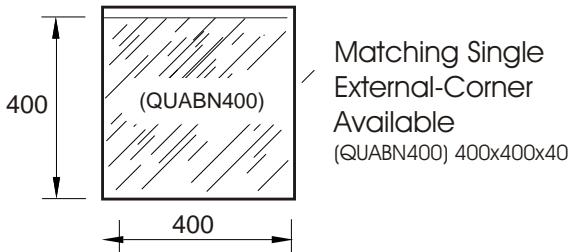
Bullnose -
Step Treads / Pool Coping

All bullnose measurements are base measurements only they do not include the bullnose



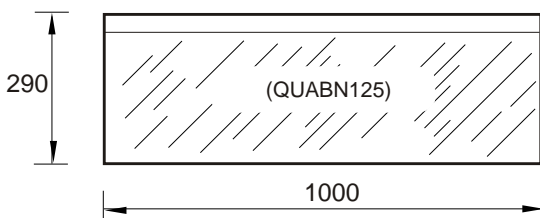
Quarriedstone

Bullnose Straight
(+18mm bullnose)
40mm thick



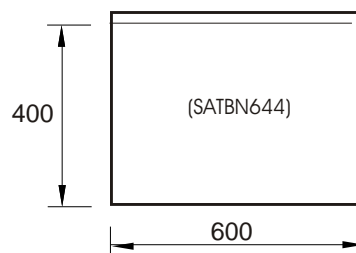
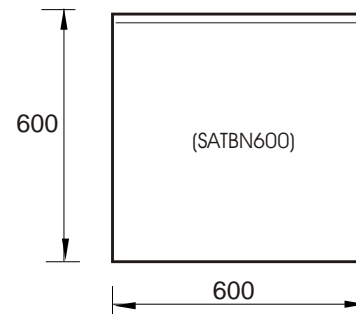
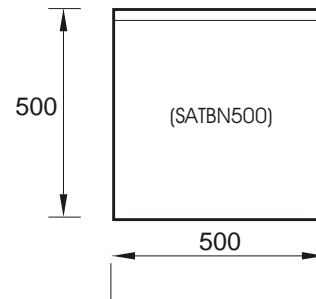
Quarriedstone

Bullnose Straight
(+23mm bullnose)
50mm thick



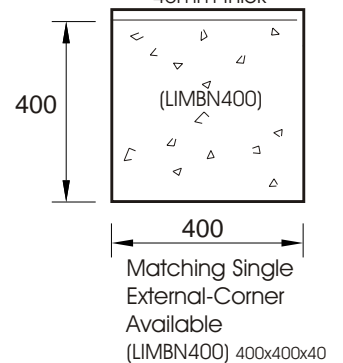
New Satinstone

Bullnose Straight
(+18mm bullnose)
40mm thick



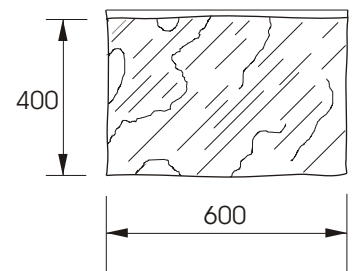
Limestone

Bullnose Straight
(+18mm bullnose)
40mm thick



Rivenstone

Bullnose Straight
(RIVBN644)
(+18mm bullnose)
40mm thick

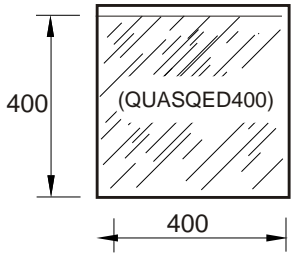


Pool Coping & Steptreads (cont) Square Edge

* Refer price list for alternative wall capping sizes available (Not illustrated)

Quarriedstone Square Edge

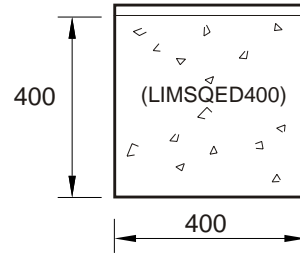
(+ 8mm bullnose)
40mm thick



Matching Single External-Corner Available
(QUASQED400)
(QUASQEEXTCNR) 400x400x40

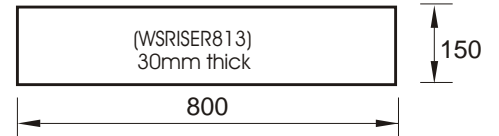
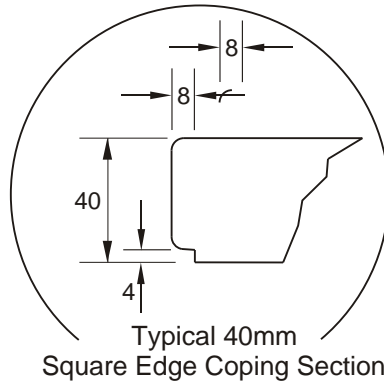
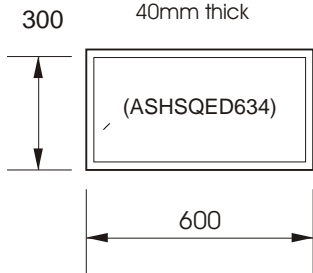
Limestone Square Edge

(+ 8mm bullnose)
40mm thick



Ashlarstone Square Edge

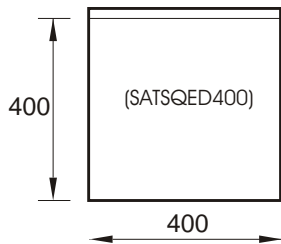
(+ 8mm bullnose)
40mm thick



Riser
Plain or Etched
Also Available
(WSRISER414) 400x160x40
(WSRISER4164) 400x100x40
(WSRISER613) 600x160x30
(WSRISER813) 800x160x30

New Satinstone Square Edge

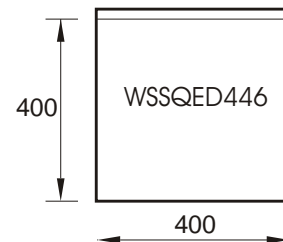
(+ 8mm bullnose)
40mm thick



Matching Single External-Corner Available
WPNSA/BN/400-2 (400x400x40)
Also Available
WPNSA/SE/500-1 (500x500x40)
WPNSA/SE/600-1 (600x600x40)
WPNSA/SE-664 (600x400x40)
WPNSA/SE-13550 (1000x350x50)

Satinstone Etched Square Edge

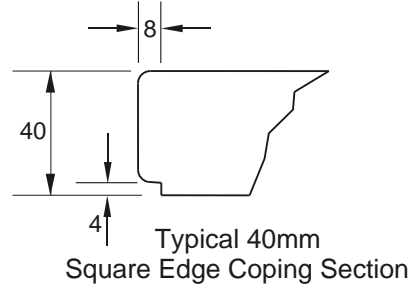
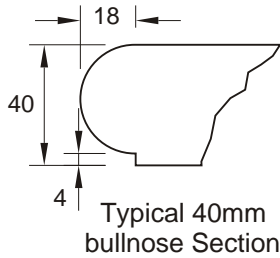
(+ 8mm bullnose)
60mm thick



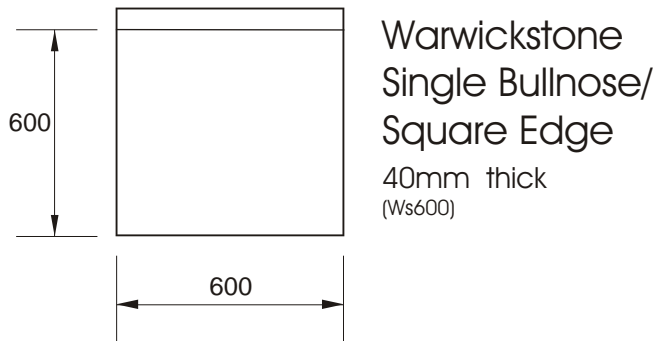
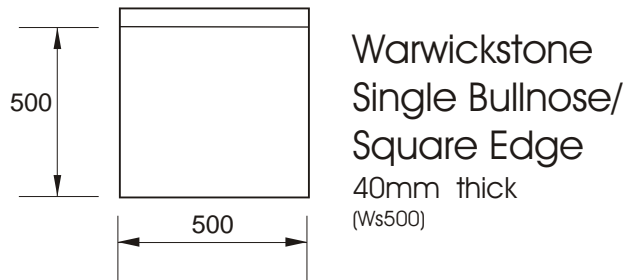
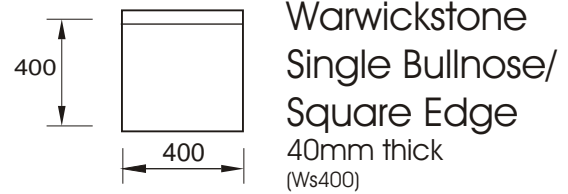
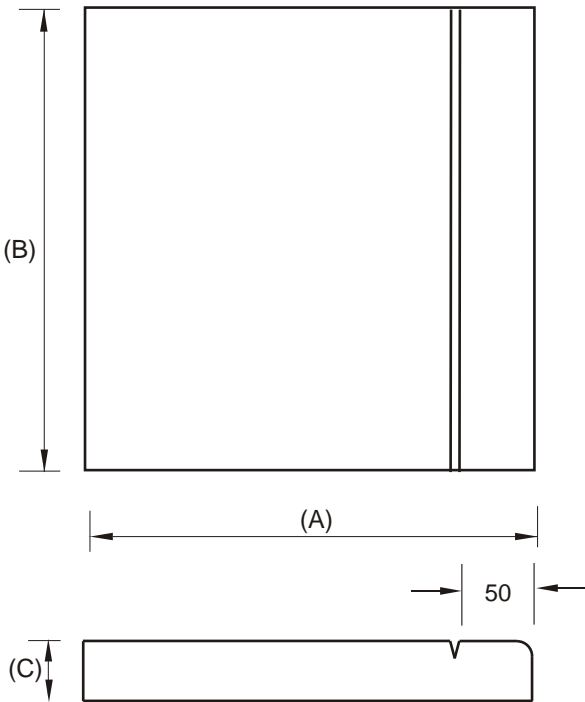
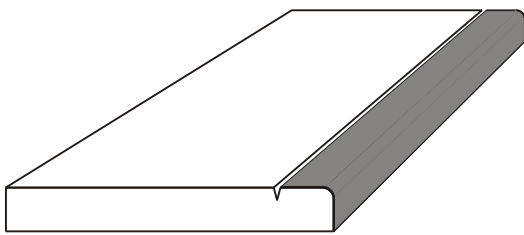
Warwickstone Pool Coping & Steptreads

Bullnose -
Step Treads / Pool Coping

All bullnose measurements are base measurements only they do not include the bullnose



Dual Colour Steptread



Bullnose also Available

- WSBN190 (400x190x40)
- WSBNEXTCNR190 (400x190x40)
- WSBN230 (400x230x40)
- WSBNEXTCNR230 (400x230x40)
- WSBN834 (800x300x40)
- WSBN810 (810x390x50)

Square Edge also Available

- WSSQED400 (400x400x40)
- WSSEEXTCNR400 (400x400x40)
- WSSE554 (500x500x40)
- WSSE600 (600x600x40)
- WSSE644 (600x400x40)
- WSSE834 (800x300x40)
- WSSE1035 (1000x350x50)

Product Code	(A)	(B)	(C)
WSDUALCOL634	600	300	40
WSDUALCOL834	800	300	40
WSDUALCOL435	400	300	50

Chelmstone Pty Ltd, ABN: 57 492 899 602
10 Neon Street, Sumner Park QLD 4074
PO Box 354, Sumner Park BC 4074

Phone: (07) 3279 3177 Fax: (07) 3279 0301

Email: info@chelmstone.com.au Web: www.chelmstone.com.au

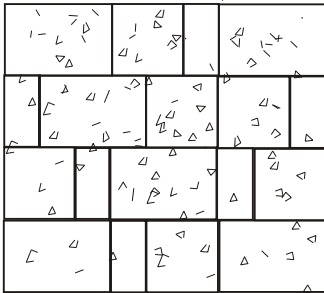
GRANECO

A range of Street paving manufactured from Australian crushed Granite / Limestone.

- *Natural colours (no pigment)
- *Granite / Limestone aggregate
- *Extremely hard wearing
- *No concrete slab required

Graneco Ashlar Set

(240x160x50, 160x160x50)
Random Sizes

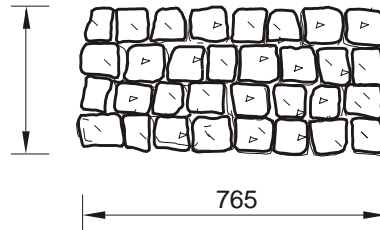


Graneco Cobblestones

Depth = 40mm
(COBB)

Approx 100x100
size cobbles
in sheet format
for ease of laying

385

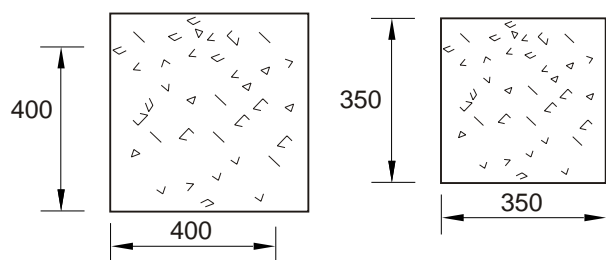
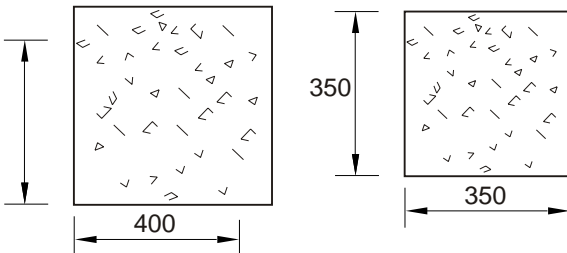


Graneco Paving

Depth = 40mm/60mm
Available in Shot Blast
or Honed finish

Shot Blasted
GRANSB444 (400x400x40)
GRANSB3506 (350x350x60)

Honed
GRANHO444 (400x400x40)
GRANHO3506 (350x350x60)

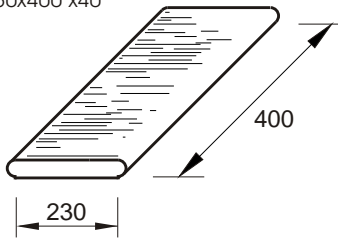


Wall Capping Double/Single Bullnose

* Refer price list for alternative wall capping sizes available (Not illustrated)

Quarriedstone

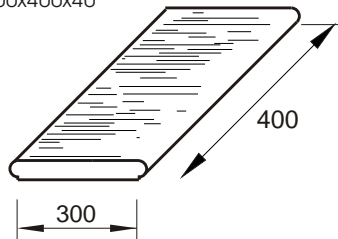
QUADBN230
230x400x40



End Cap Available

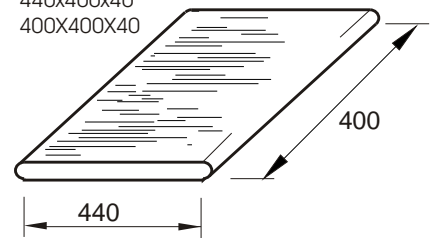
Quarriedstone

QUADBN300
300x400x40



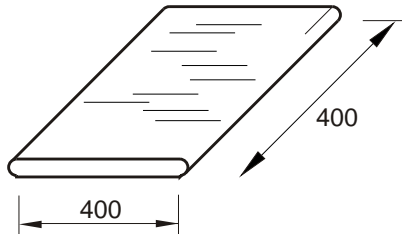
Quarriedstone

QUADBN440
440x400x40
400x400x40



Quarriedstone

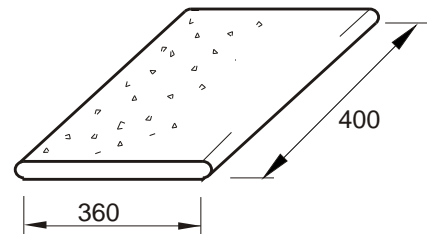
QUADBN400 (End Cap Available)
400x400x40



End Cap Available

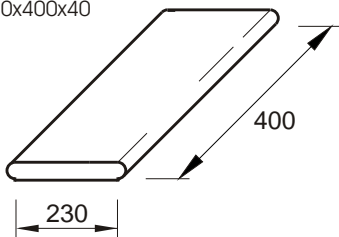
Limestone

LIMDBN360
360x400x40



Satinstone / Etched

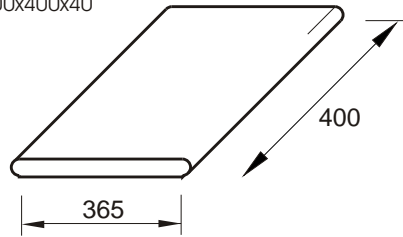
WSDBN190
190x400x40



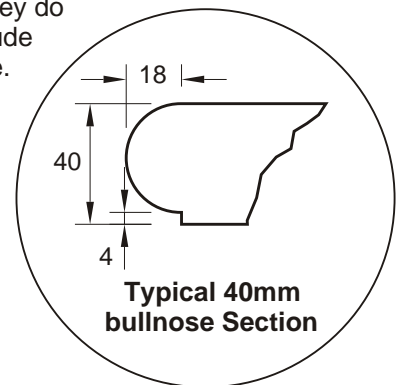
End Cap Available

Satinstone / Etched

WSDBN365
365x400x40 (End Cap Available)



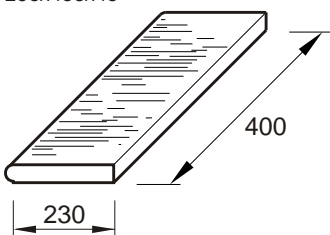
All bullnose measurements are base measurements only - they do not include bullnose.



Single Bullnose

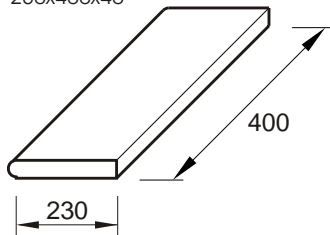
Quarriedstone

(QUABN230)
230x400x40



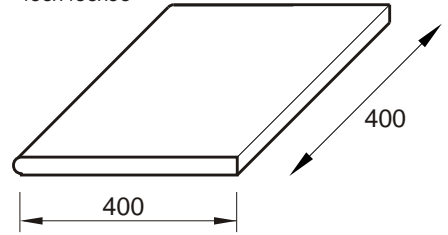
Satinstone / Etched

(WSBN230)
230x400x40



Satinstone / Etched

WSBN400
400x400x30



*Note : All Satinstone Etched products are also available in Warwickstone

Chelmstone Pty Ltd, ABN: 57 492 899 602
10 Neon Street, Sumner Park QLD 4074
PO Box 354, Sumner Park BC 4074

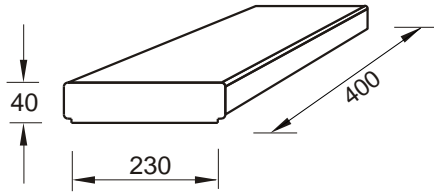
Phone: (07) 3279 3177 Fax: (07) 3279 0301

Email: info@chelmstone.com.au Web: www.chelmstone.com.au

Wall Capping (cont) Square Edge

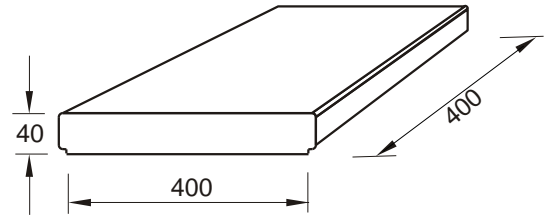
Double Bullnose

* Refer price list for alternative wall capping sizes available (Not illustrated)



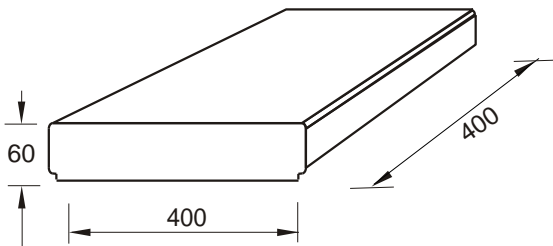
Satinstone / Etched
Square Edge

WSDSEWC230
230x400x40



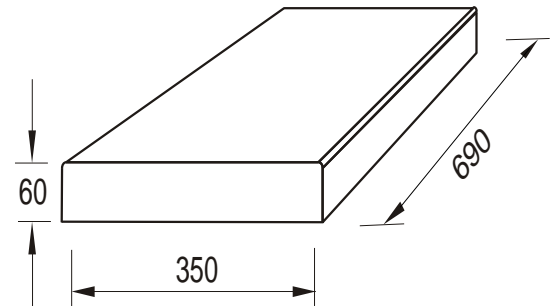
Satinstone / Etched
Square Edge

WSDSEWC400
400x400x40



Satinstone / Etched
Square Edge

WSDSEWC446
400x400x60
End Piece also available



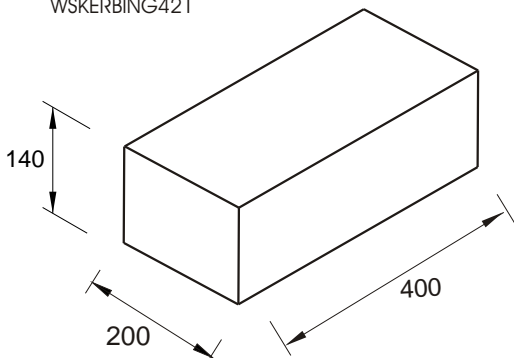
Satinstone / Etched
Arris Edge

WSDSEWC690
350x690x60

*Note : All Satinstone Etched products are also available in Warwickstone

Kerbing Unit

WSKERBING421



Chelmstone Pty Ltd, ABN: 57 492 899 602
10 Neon Street, Sumner Park QLD 4074
PO Box 354, Sumner Park BC 4074

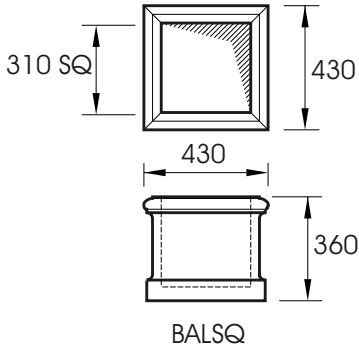
Phone: (07) 3279 3177 Fax: (07) 3279 0301

Email: info@chelmstone.com.au Web: www.chelmstone.com.au

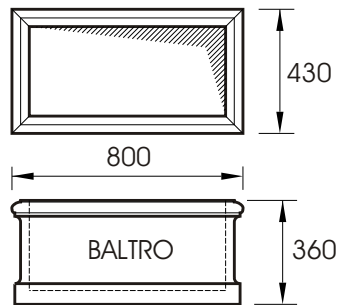
Planters

Available in Antiquestone Only

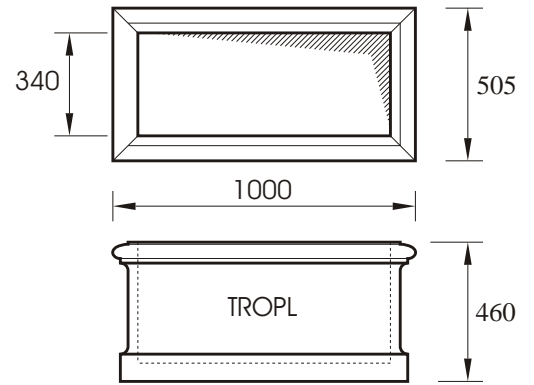
Balcony Square



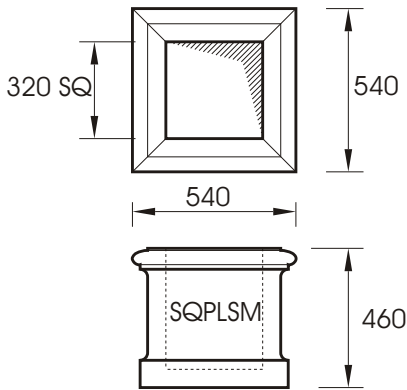
Balcony Trough Planter



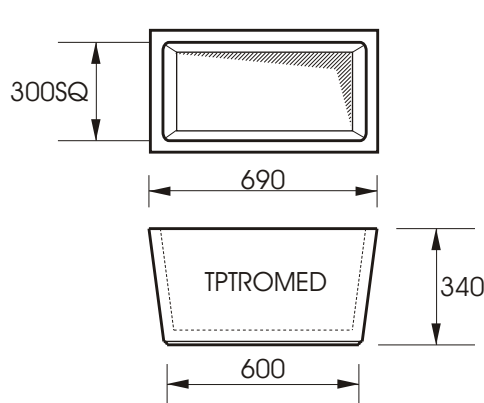
Trough Planter



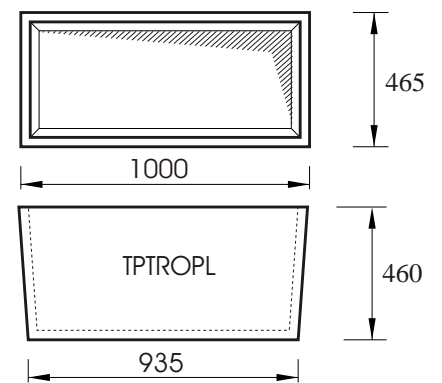
Small Planter



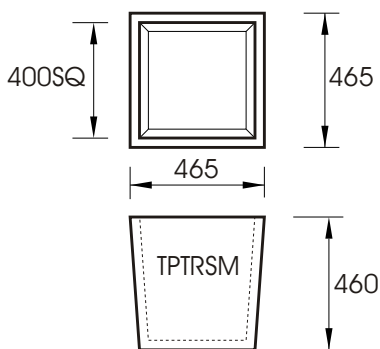
Medium Tapered Trough



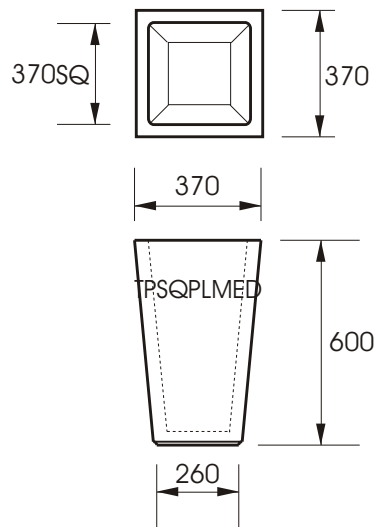
Tapered Trough Planter



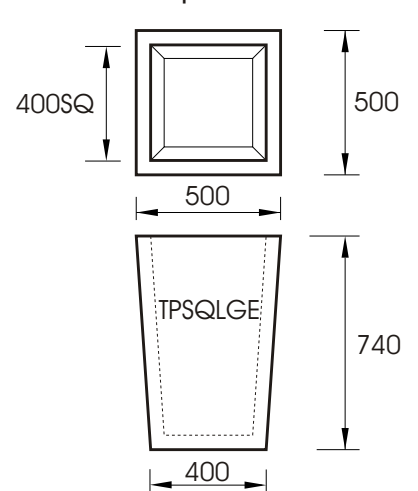
Small Tapered Square



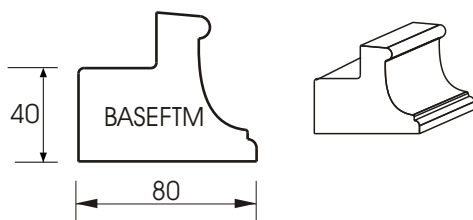
Medium Tapered Square Planter



Large Tapered Square



Moulded Feet PL/MF



* Indicative profiles only, specific detail may vary

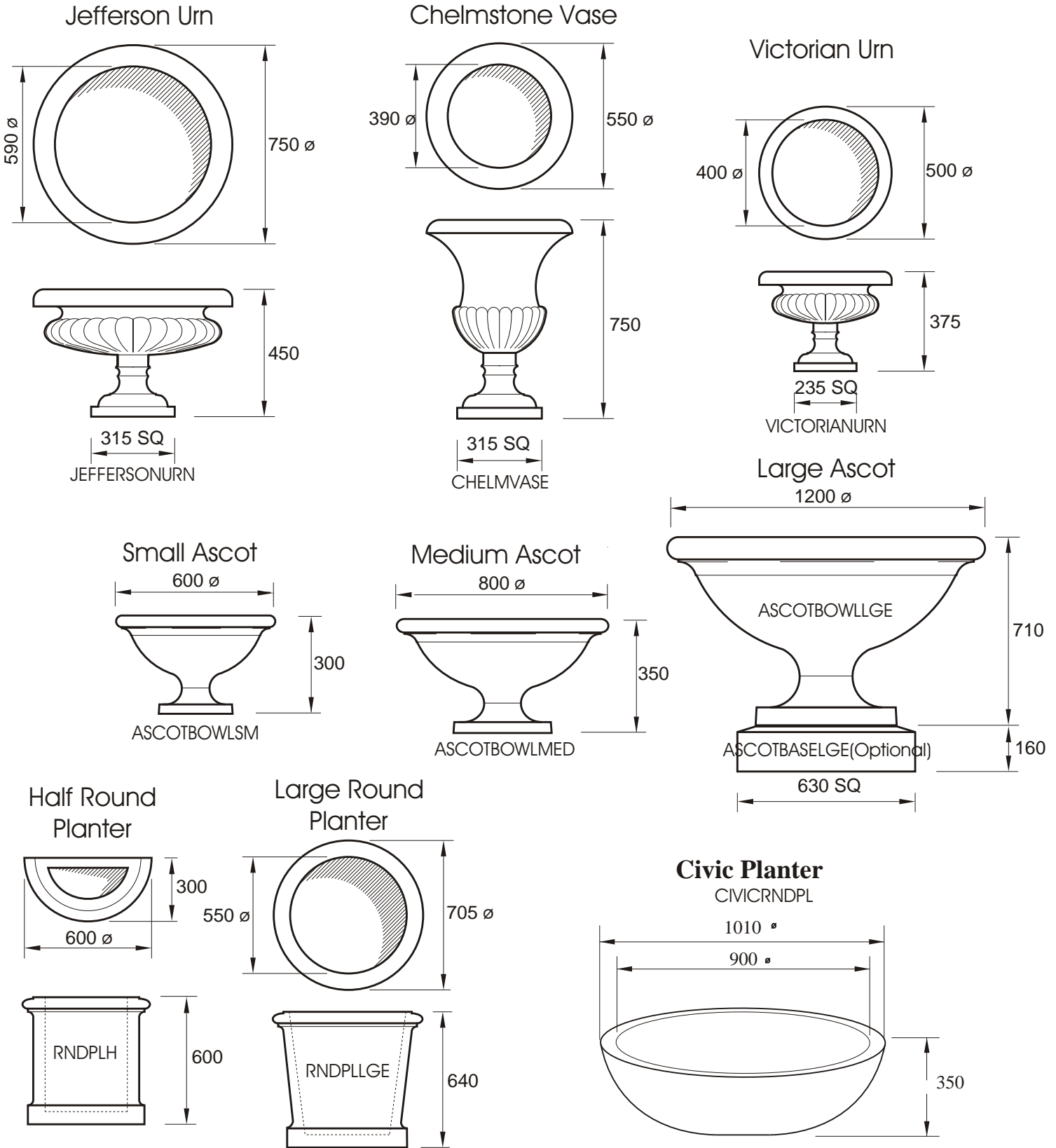
Chelmstone Pty Ltd, ABN: 57 492 899 602
10 Neon Street, Sumner Park QLD 4074
PO Box 354, Sumner Park BC 4074

Phone: (07) 3279 3177 Fax: (07) 3279 0301

Email: info@chelmstone.com.au Web: www.chelmstone.com.au

Planters (Continued)

Available in Antiquestone Only

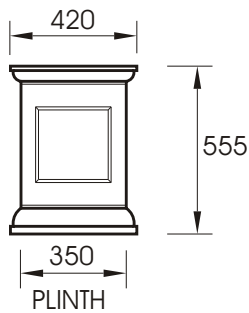


* Indicative profiles only, specific detail may vary

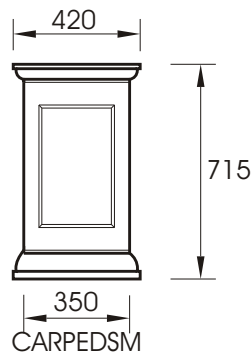
Pedestals

Available in Antiquestone Only

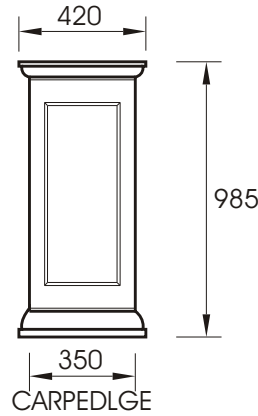
Plinth Pedestal



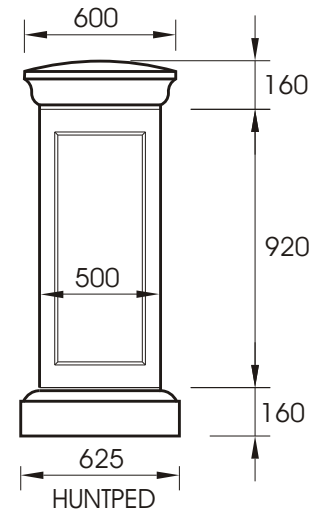
Small Carrington Pedestal



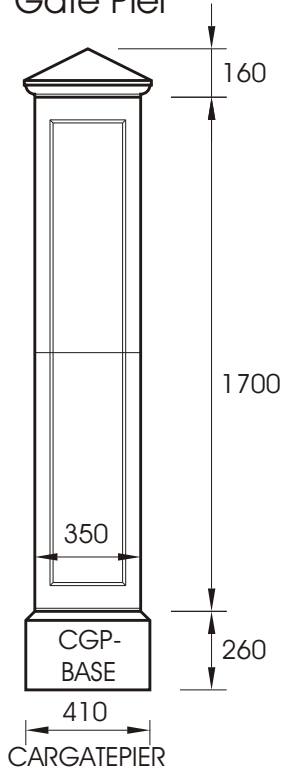
Large Carrington Pedestal



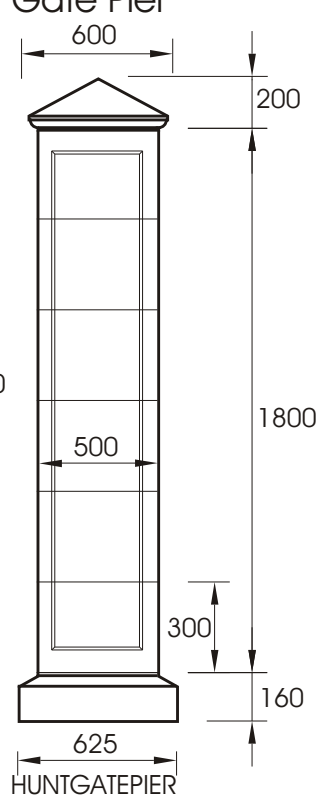
Huntington Pedestal



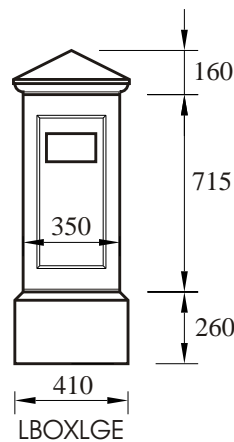
Carrington Gate Pier



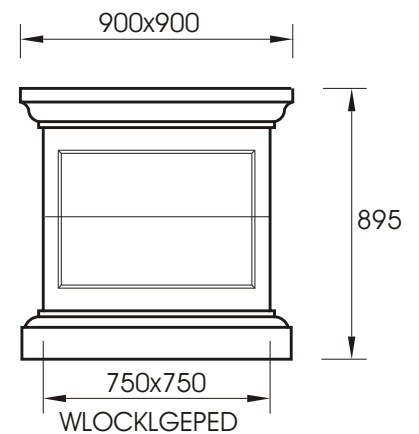
Huntington Gate Pier



Letter Box



Whitelock Pedestal



NOTE:

BRASS LETTER BOX

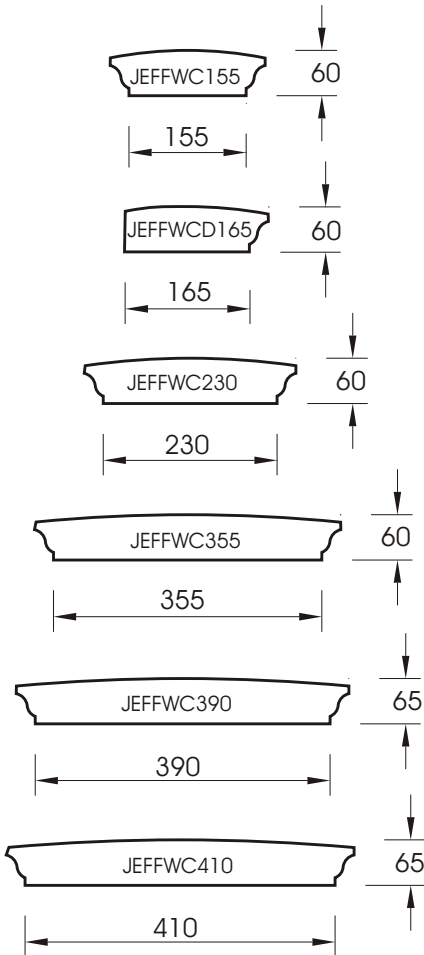
Brass insert to small or large Carrington Pedestal with Stanley or Dewar Cap

* Indicative profiles only, specific detail may vary

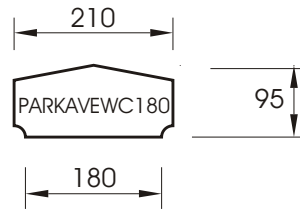
Wall Capping

Available in Antiquestone Only

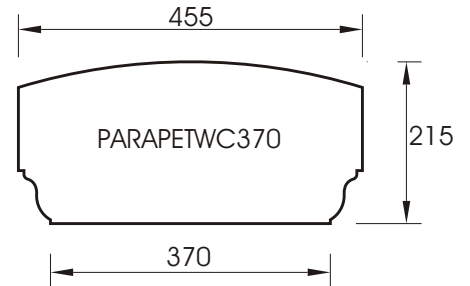
Jefferson



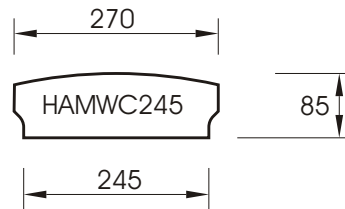
Park Avenue



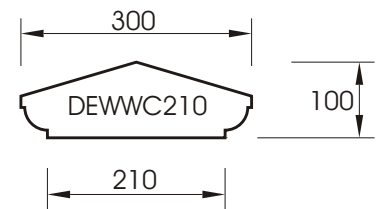
Parapet



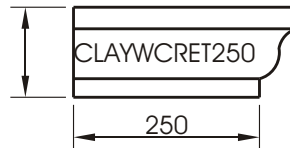
Hamilton



Dewar

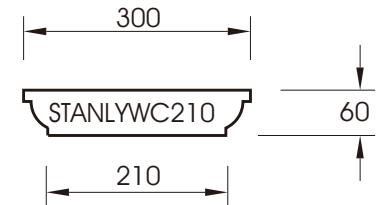


Clayfield

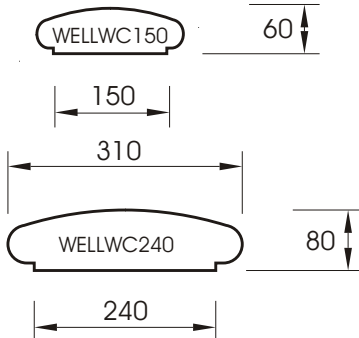


Available in left & right piece

Stanley



Wellington

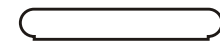


Double Bullnose



Width

50mm Thick Profile



Width

40mm Thick Profile

Type	Height	Length	Width
ASDBN230	50mm	1000mm	230mm
ASDBN365	50mm	800mm	365mm
ASDBN624	40mm	600mm	230mm
ASDBN600	40mm	600mm	400mm

NOTE:

* All 800mm length except for Parapet Wall Cap which is 600mm and Clayfield which is 500mm.

* Indicative profiles only, specific detail may vary.

* End Pieces are available in the JEFFWC230, DEWWC210, WELLWC240 & STANLEYWC210.

* Indicative profiles only, specific detail may vary

Chelmstone Pty Ltd, ABN: 57 492 899 602
 10 Neon Street, Sumner Park QLD 4074
 PO Box 354, Sumner Park BC 4074

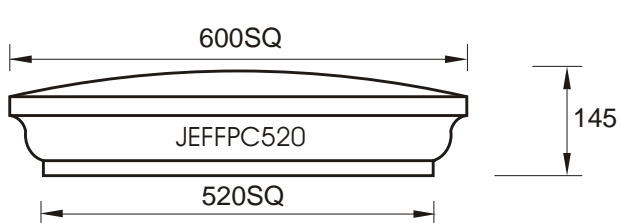
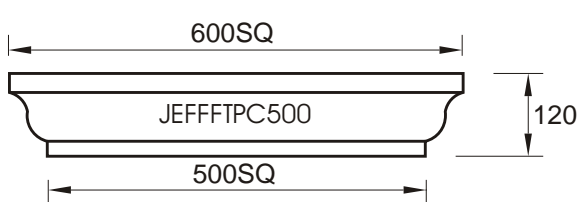
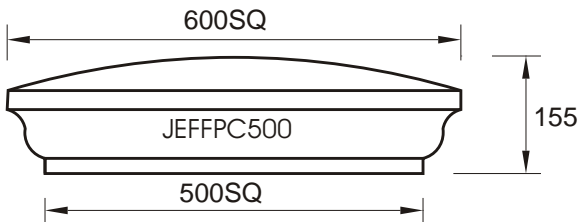
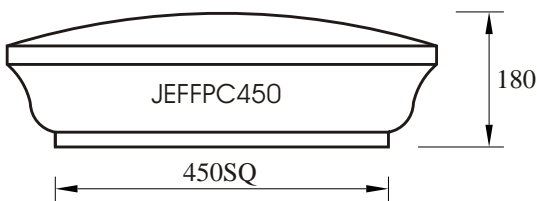
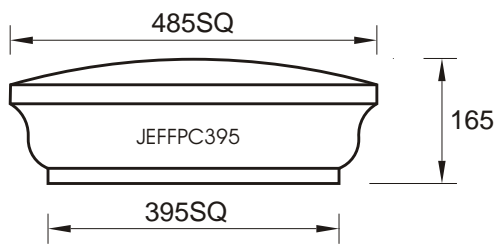
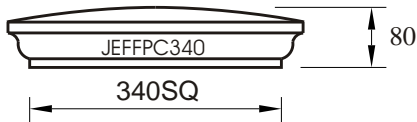
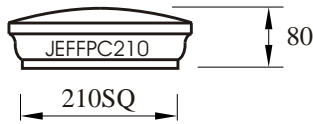
Phone: (07) 3279 3177 Fax: (07) 3279 0301

Email: info@chelmstone.com.au Web: www.chelmstone.com.au

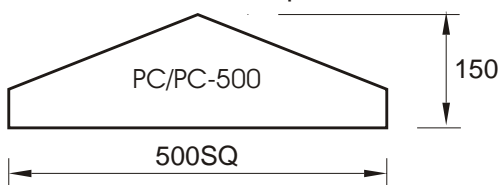
Pier Capping

Pier Capping - Antiquestone Only

Jefferson

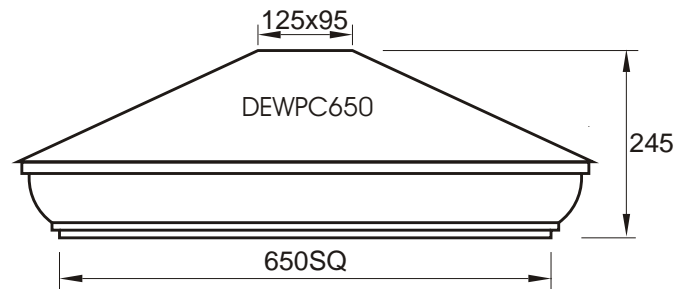
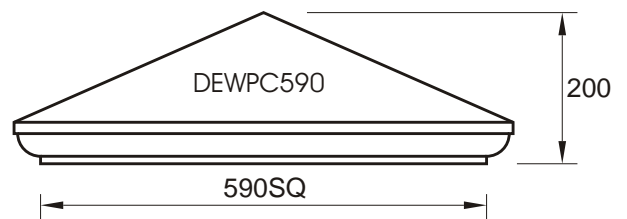
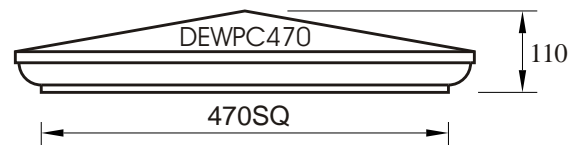
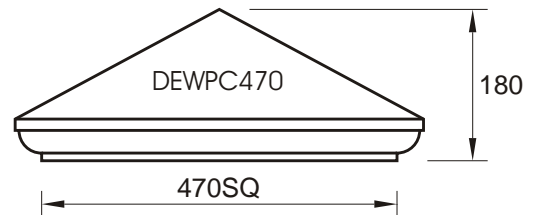
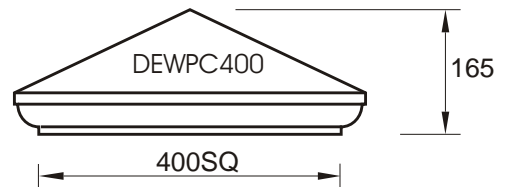
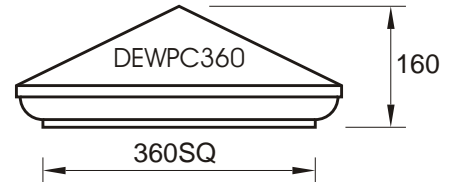
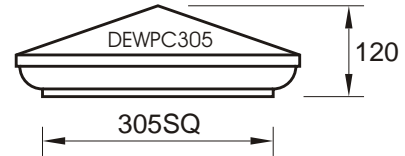


Pitched Cap



Above profile also available in:
PC/PC-350
PC/PC-800

Dewar



PC/D-650 Also available
With pitched top and in a 750 x 750
profile

Chelmstone Pty Ltd, ABN: 57 492 899 602
10 Neon Street, Sumner Park QLD 4074
PO Box 354, Sumner Park BC 4074

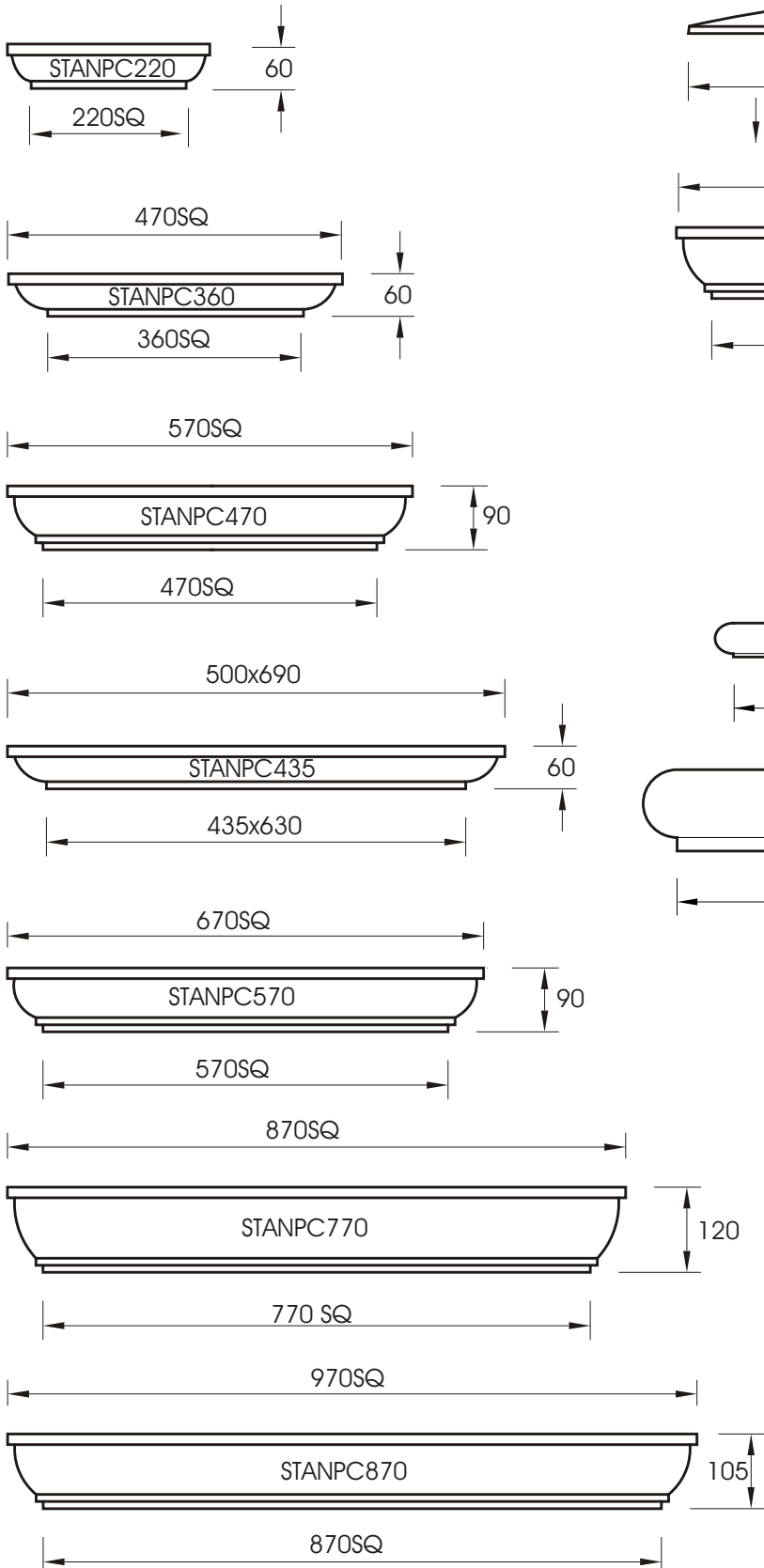
Phone: (07) 3279 3177 Fax: (07) 3279 0301

Email: info@chelmstone.com.au Web: www.chelmstone.com.au

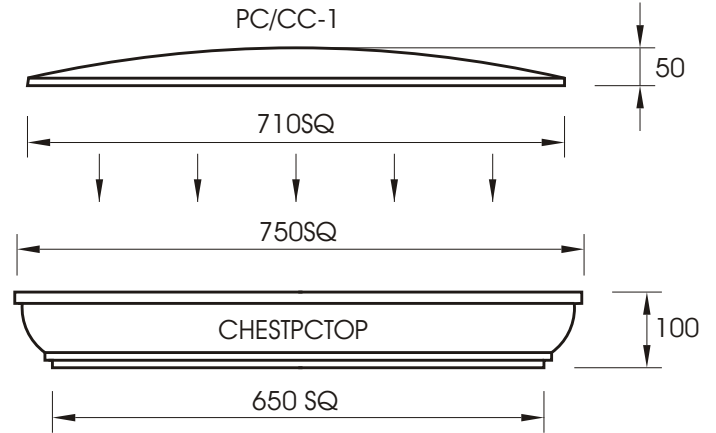
Pier Capping (Continued)

Pier Capping - Antiquestone Only

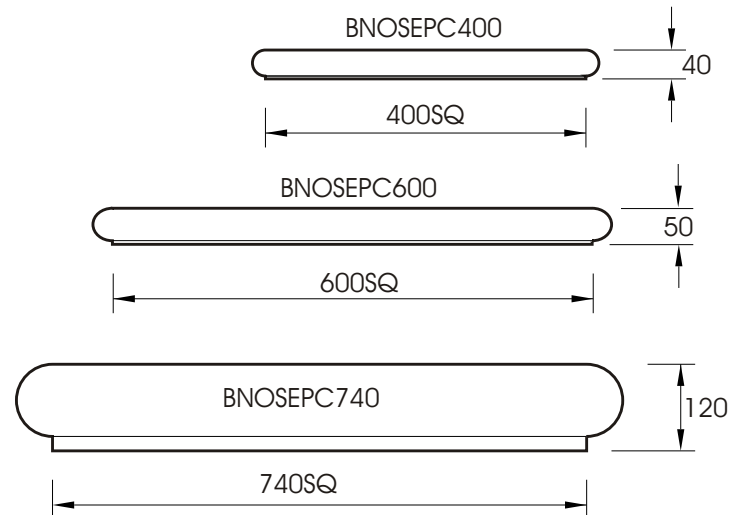
Stanley



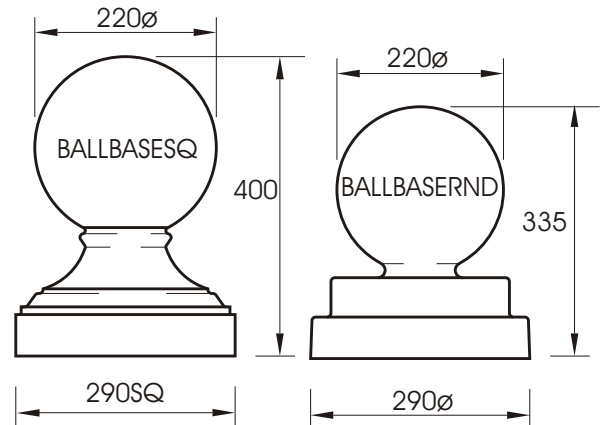
Chesterman



Bullnose



Ball On Base



* Indicative profiles only, specific detail may vary

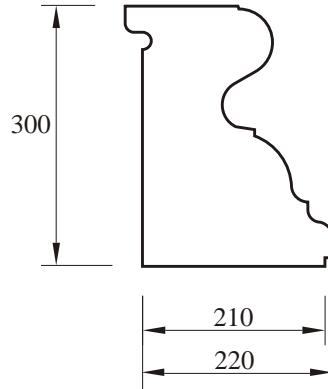
Fountain Kit

Available in Antiquestone Only

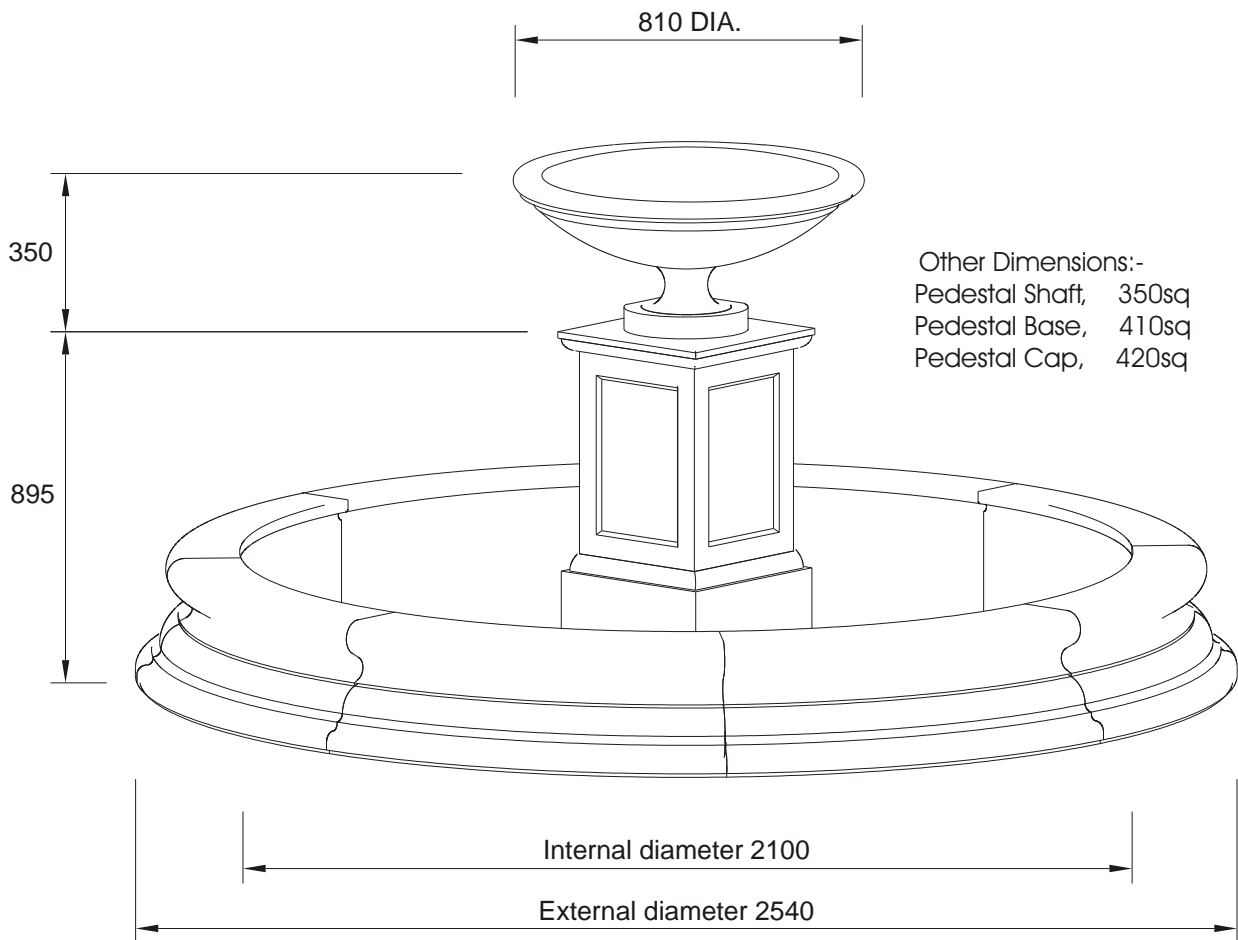
Ascot Combination

Includes:-

1. Ascot Fountain Surround.
2. Medium Ascot Bowl.
3. Small Carrington Pedestal, with extra base.
4. Custom design fibreglass pond shell.
5. Matching grout.



Fountain Surround Profile Large (PONDSURLGE)



Other Dimensions:-
 Pedestal Shaft, 350sq
 Pedestal Base, 410sq
 Pedestal Cap, 420sq

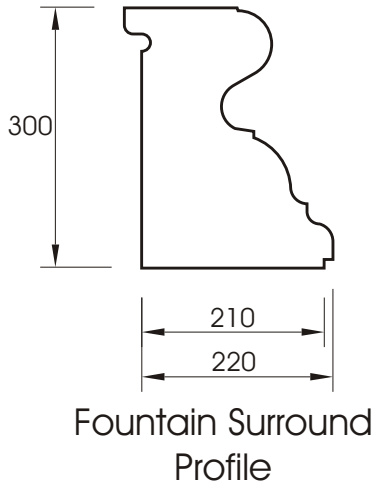
Note: Filters on the pumps provided need to be cleaned regularly so they do not block. Efflorescence (Lime Leeching) can cause the pump to become blocked. The efflorescence should cease after a period of 6-12 months.

- 1) Pump NOT included
- 2) Liner may require trimming
- 3) Surrounds evenly spaced to suit liner.

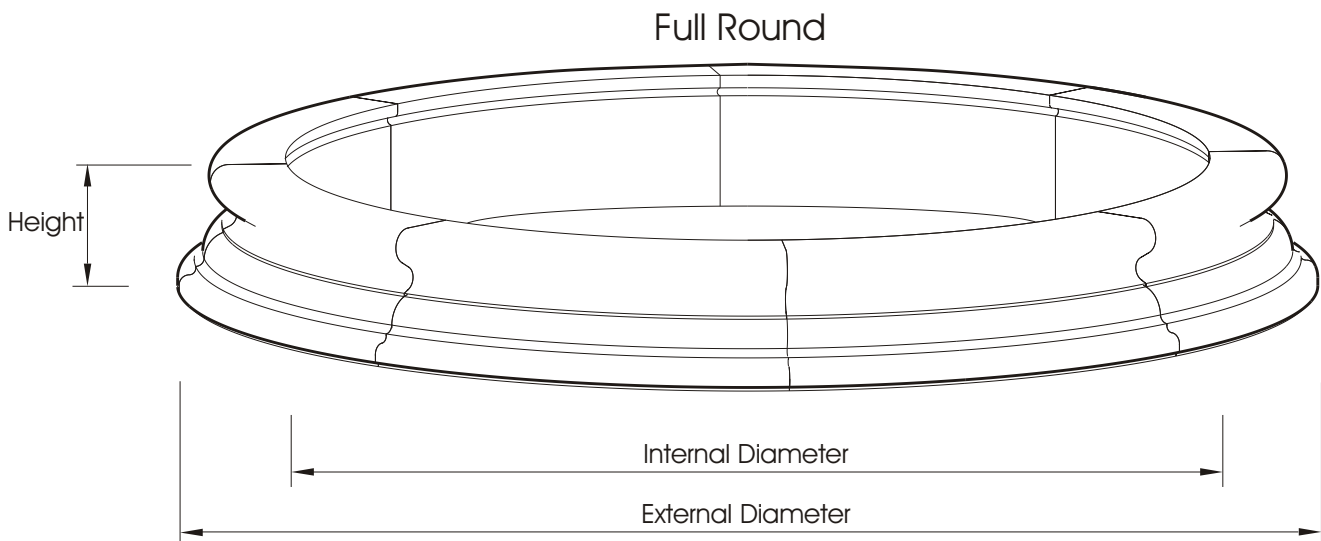
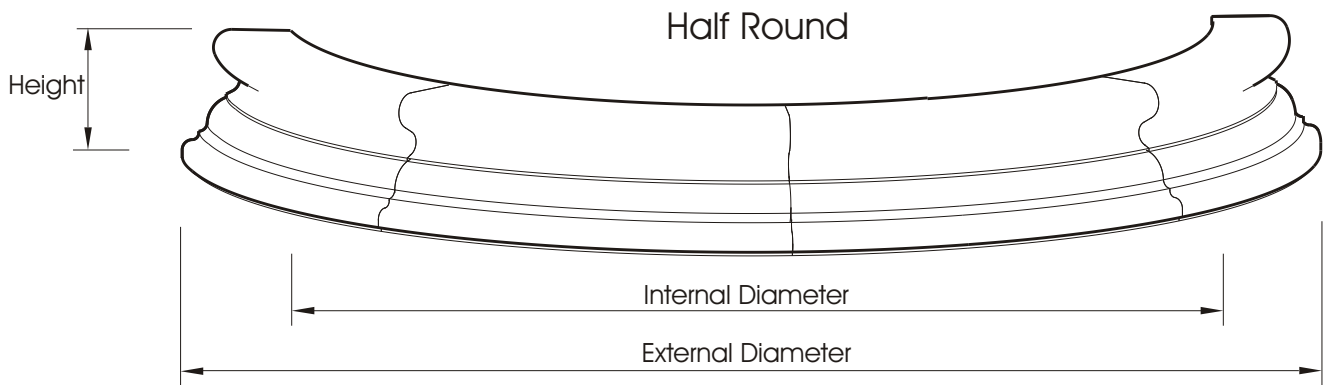
* Indicative profiles only, specific detail may vary

Fountain Kit (Continued)

Available in Antiquestone Only



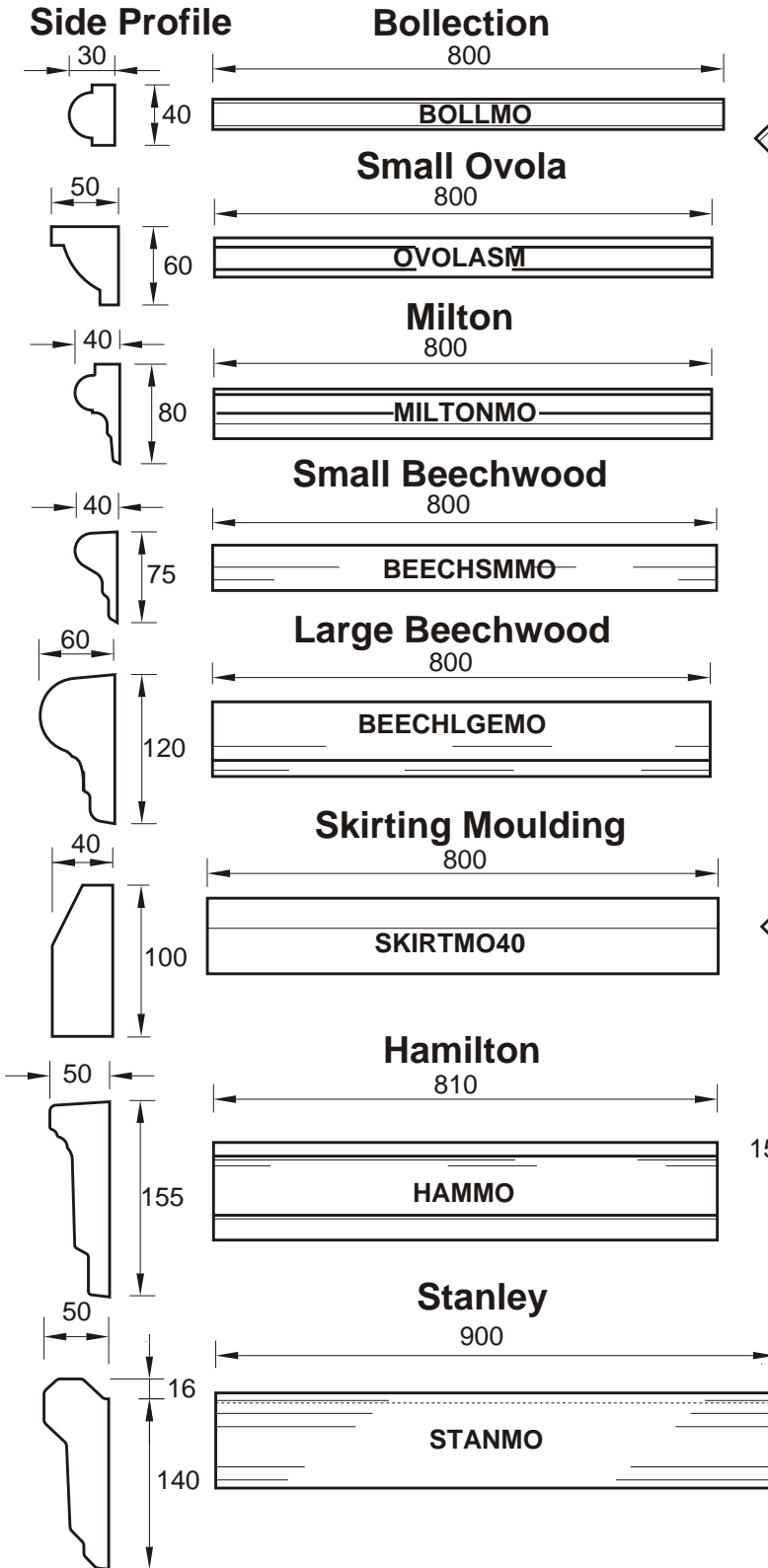
PONDSURLGE	Large	
Internal Diameter.		2100
External Diameter.		2540
Height.		300
Width .		220
PONDSURMED	Medium	
Internal Diameter .		1530
External Diameter.		1970
Height.		330
Width .		220
PONDSURSM	Small	
Internal Diameter.		1050
External Diameter.		1490
Height.		270
Width .		190



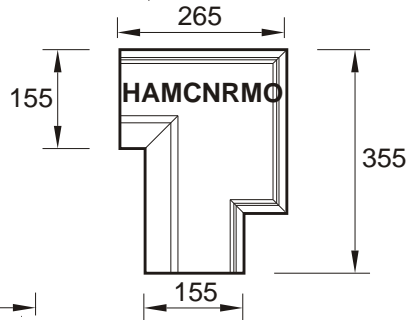
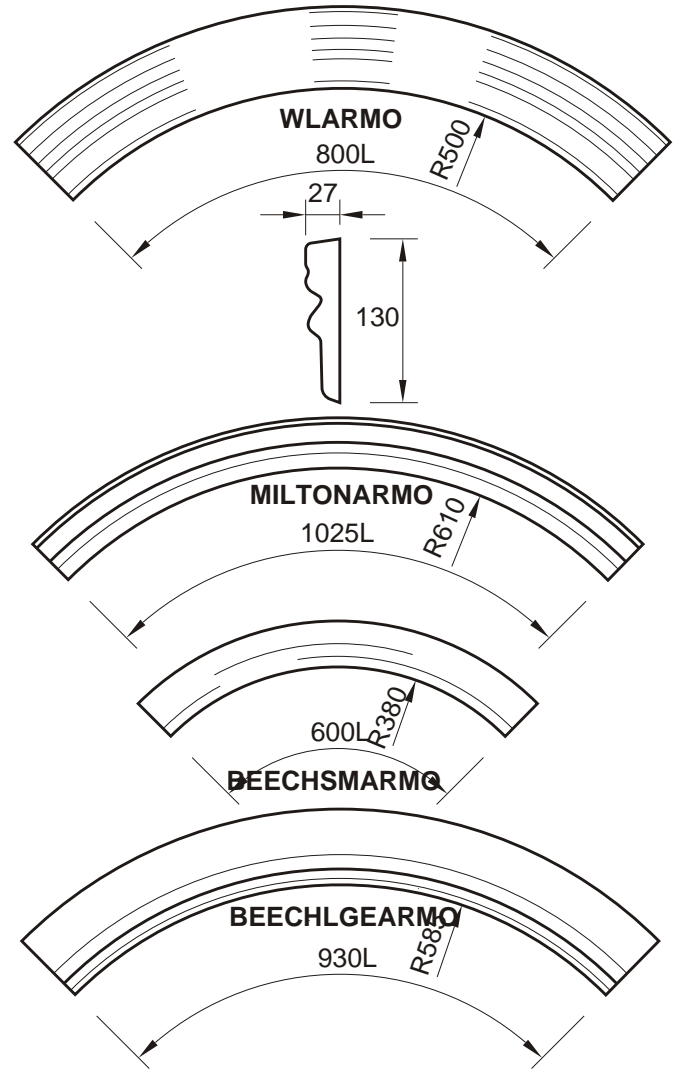
* Indicative profiles only, specific detail may vary

Mouldings

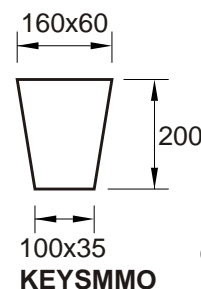
Available in Antiquestone Only



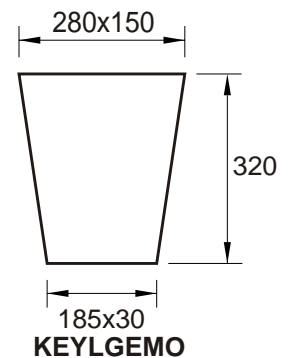
Whitelock Arch



Keystone Small



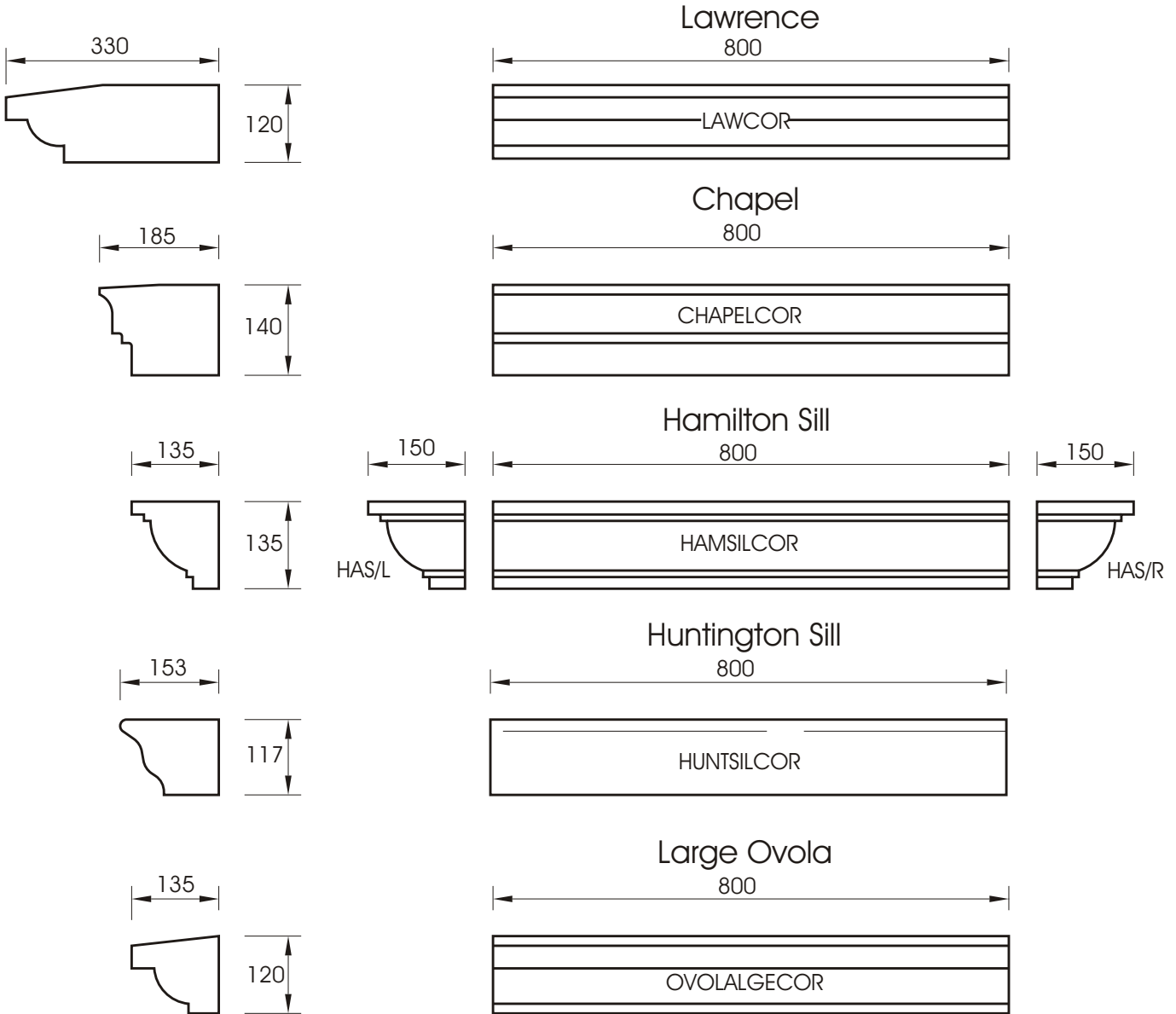
Keystone Large



* Indicative profiles only, specific detail may vary

Cornices

Available in Antiquestone Only

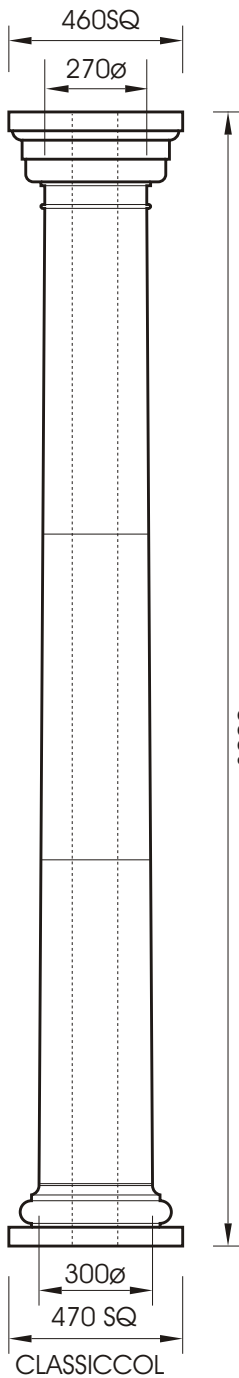


* Indicative profiles only, specific detail may vary

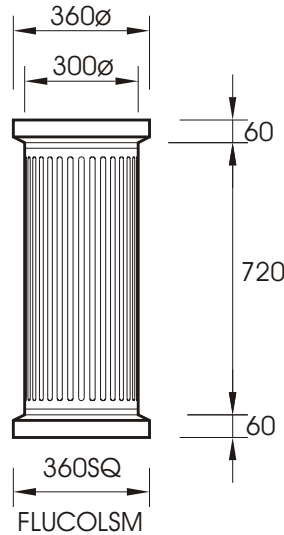
Columns & Ornamentals

Available in Antiquestone Only

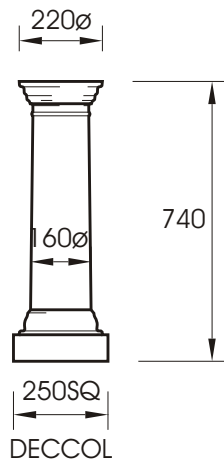
Classic Column



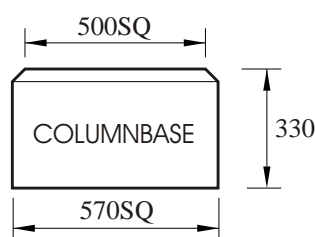
Small Fluted Column



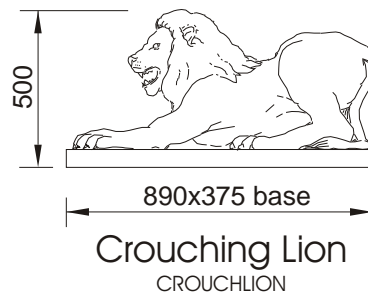
Small Decorative Column



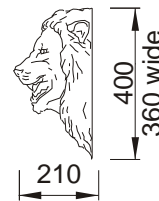
Extended Column Base



Lion Statues

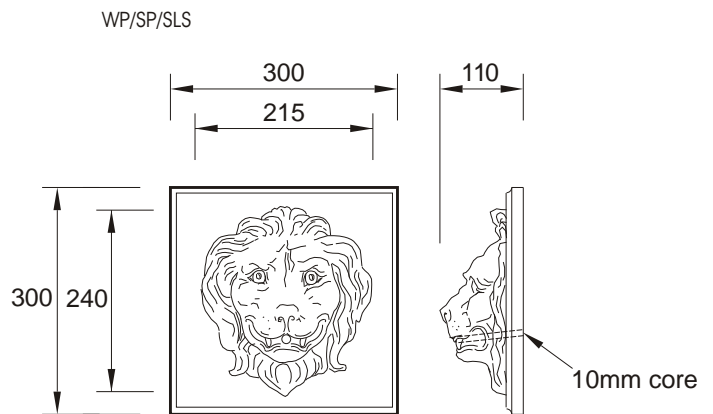


Crouching Lion
CROUCHLION

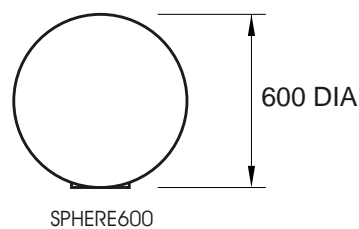


Small Lion Head
LIONHEADSM

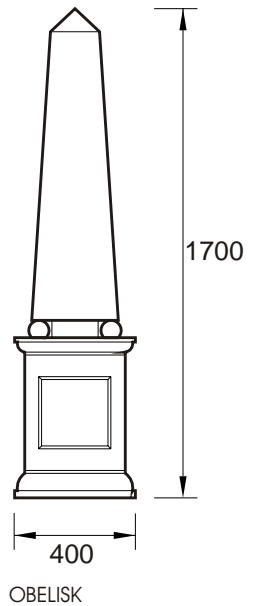
Small Lions Shield



Large Sphere



Obelisk



* Indicative profiles only, specific detail may vary

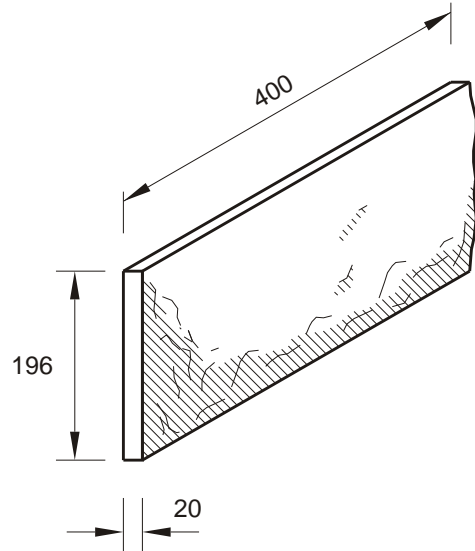
Rockface Wall Cladding

Available in Antiquestone Only

Block Sizes

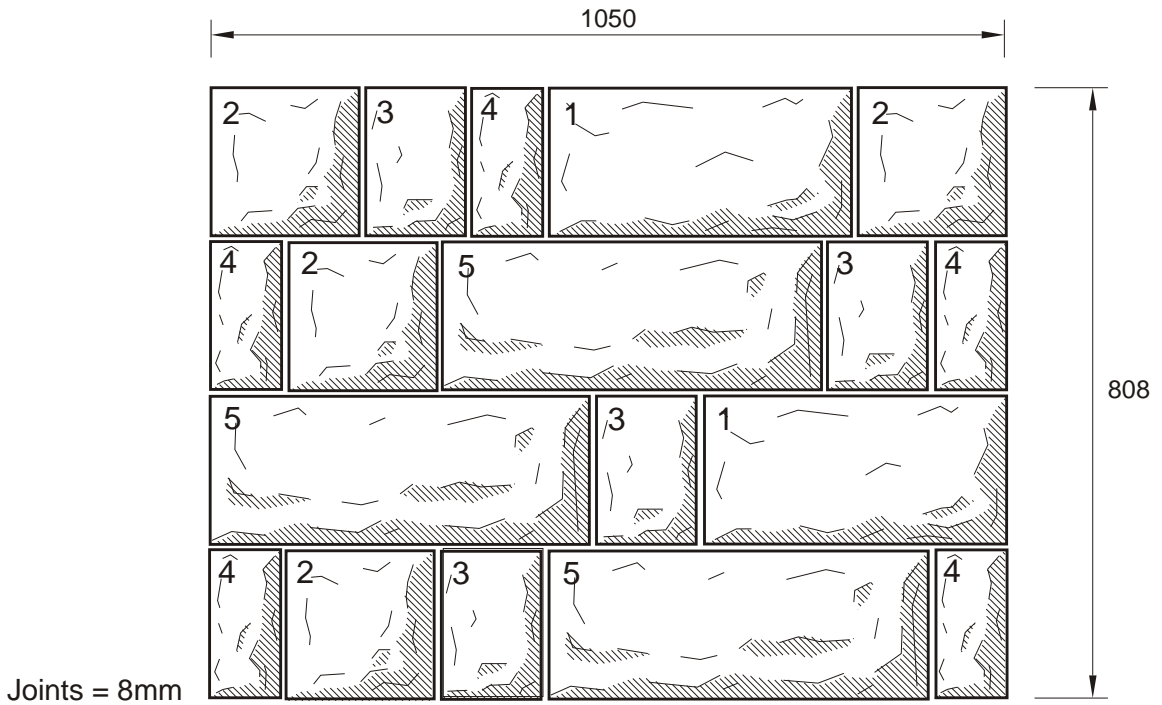
RFW

Type	Size
1	400 x 196 x 20mm
2	196 x 196 x 20mm
3	132 x 196 x 20mm
4	094 x 196 x 20mm
5	502 x 196 x 20mm



Typical Profile

Typical Wall Pattern



* Indicative profiles only, specific detail may vary