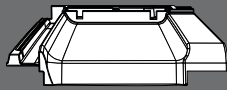


» DATA SHEET VIENNA PROFILE

SPECIFICATIONS & APPLICATIONS



MANUFACTURE:

Pressed terracotta clay interlocking roofing tile with fused or integral colour and vitreous glaze. Manufactured to exceed the minimum requirements of AS2049-2002.

APPLICATION:

Roof and wall covering in pitch range:
 18° | 20° - <35° * (sarking optional)
 15° - <18° | 20° * (sarking mandatory)

WEIGHT:

4.15kg (average)

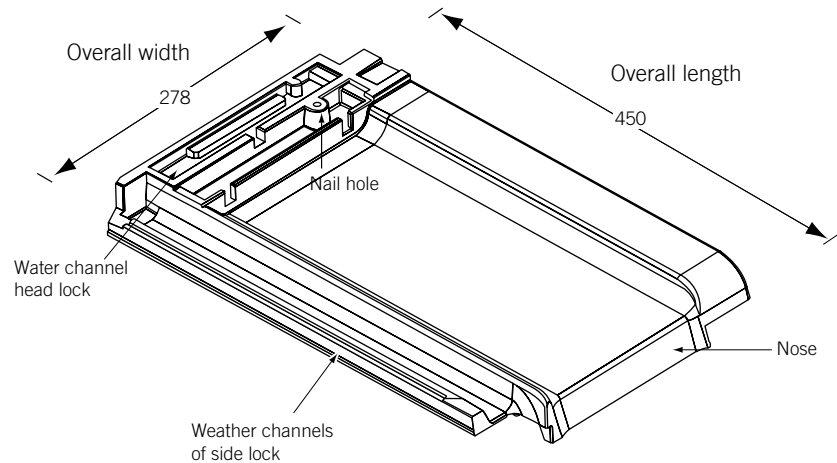
TILES PER M²:

12M²

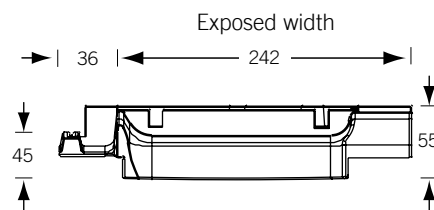
See Illustration for more details

* Pitch varies between states. For more information refer to the Bristile Roofing Technical Manual. (All dimensions in mm)

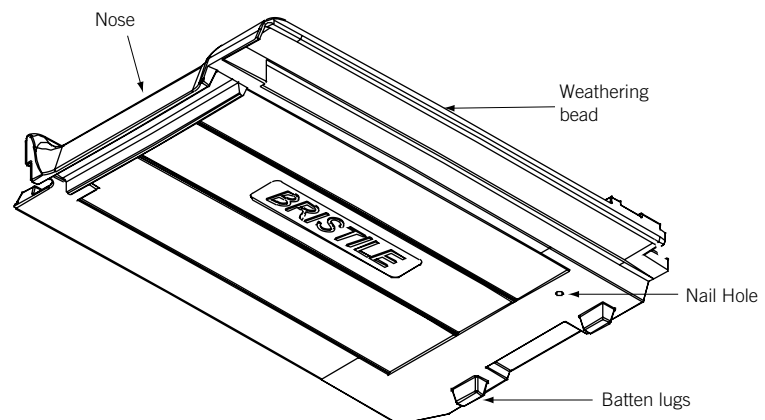
TOP ISOMETRIC VIEW



END ELEVATION VIEW



BOTTOM ISOMETRIC VIEW



Phone 1300 274 784

www.bristilerooting.com.au