



AUSTRALIAN  
DESIGNED



LIGHTS  
DIMMABLE



LAST  
50,000HRS



5 YEAR  
WARRANTY

# Look Up!

To the world's first  
50W halogen equivalent,  
LED downlight.



**D900**<sup>TM</sup>  
LED DOWNLIGHT



Brightgreen

# D900 Applications

Home

2 YEAR  
PAYBACK



5YR EXTENDED WARRANTY



6 HRS DAILY USE



At 900 lumens, the D900 is ideal for homes. It offers the same benefits of Halogen with the reduced environmental impact, zero maintenance and low energy consumption that is expected from LED. The D900 is dimmable using any type of dimming system for standard wall dimming or home automation.

Retail

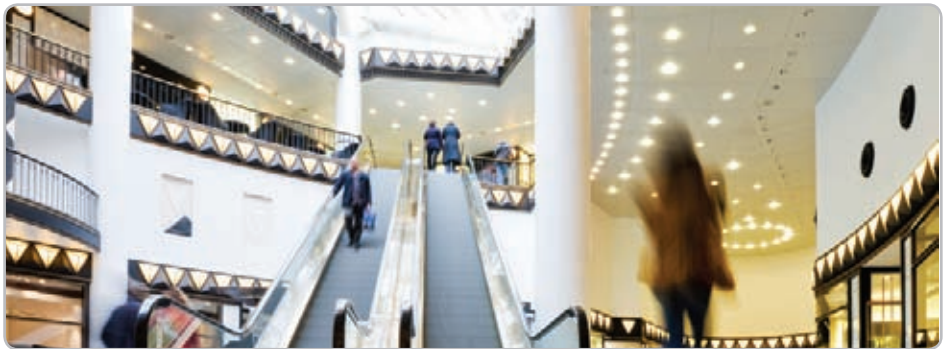
1 YEAR  
PAYBACK



5YR EXTENDED WARRANTY



12 HRS DAILY USE



The D900 offers great light quality for retail and hospitality applications. With its high CRI (90) it means product, people and interiors will look as good as they can. With high daily use in these areas the D900 has an exceptionally fast payback period.

Office

1 YEAR  
PAYBACK



5YR EXTENDED WARRANTY



10 HRS DAILY USE



The D900 offers a high efficacy of 56lm/w and 70lm/W for the D1000 which significantly reduces office energy consumption while maintaining the same lux levels required for OHS standards. The D900 is solid state which means no headaches common to fluorescents that switch on and off rapidly.

Hotel

1 YEAR  
PAYBACK  
2



5YR EXTENDED WARRANTY



18 HRS DAILY USE



For high use and high access the D900 offers the incredibly short payback of 6 months while offering the same splendid light quality of a halogen. With a 5 year warranty, the D900 will offer a tenfold profit at the warranty horizon, and a thirty fold profit at its product life horizon with the addition of zero maintenance along the way.

# Features & Benefits D900

## 900 lumens

The D900 is the only 16 Watt LED to match a halogen light output (almost double the light output of other 16W LED's).

## Solid State Fan

This patented fan with no moving parts will keep the D900 running cool for years to come in hot Australian conditions.

## Zero Fire Risk

The Brightgreen heat sink reaches a maximum of 65°C and only requires 20mm clearance to operate efficiently, well below the 200mm Australian standard for halogens.

## Fast Payback Period

Payback is fast, with Solar panels at 15 year payback the D900 is an easy eco choice at 2years for homes and 1 year for commercial.

## Perfect light quality

With its high CRI (90) products, people and interiors will look as good as they can.

## UV Free

Unlike halogens and fluorescents the D900 is free from UV light. This means no skin damage and no fading of furnishings.

## Universally Dimmable

Brightgreen has been making dimmable LEDs for years. But the D900 is the first of its kind to work with normal Leading and Trailing edge dimmers resulting in a more versatile aesthetic and faster installations.

## Mercury Free

Free from Mercury, Lead, Hexavalent Chromium and all other heavy metals considered toxic to the environment and our food chain.

## Pre-Assembled

The D900's are pre-assembled ready to install. They come with a three pin plug built in so just "drill and plug" and you're in business.

## Low Glare Lens

The patented Lens design ensures glare is reduced significantly.

## Gimbled

Adjusting your lighting design after installation is easy with the built in Gimble, allowing you to adjust the light direction by up to 15°.

## Instant

Unlike fluorescents, the D900 turns on instantly. That means you get the light when you want it. No more trips to the bathroom with your night vision goggles.

## Flicker Free

The D900's are solid state. Unlike fluorescents this means they are always on. This means no more flicker and no more headaches.

## 90mm Hole Cutout

The D900 requires the same hole cut-out as a 50W halogen, making it even easier for a professional electrician to install or for anyone to complete a retrofit.

## Efficient

The D series operates at up to 70lm/W; five times more efficient than halogens.

## Perfect Light

The D900 is exactly the same color temperature as a halogen: 3000k. The D1000 is the same as sunlight: 5000k.

## Full 55° Lens

Amazing coverage at 55° beam width. This is almost double the square metered coverage of a 45° lens and the lux intensity is still the same a 55° halogen. The D1000 is even brighter.

## 50,000 hrs Life

The D900 is designed for Australian heat conditions lasting 15 times longer than halogen and much longer than other LEDs designed for temperate conditions.

## One Light

The D900 has a lean aesthetic from its custom single LED chip made in Japan.



## AVERAGE RESIDENTIAL PAYBACK (IN YEARS)

Hours of use p/day	1	2	3	4	5	6	7	8	9	10	11	12	13	14	15	16	17	18	19	20	21	22	23	24
Years until payback	12.4	6.2	4.1	3.1	2.5	2.1	1.8	1.6	1.4	1.2	1.1	1.0	1.0	0.9	0.8	0.8	0.7	0.7	0.6	0.6	0.6	0.6	0.5	0.5

Calculations include installation and cost of purchase. Cost of purchase is based on the RWP and comparative cost of buying a mid level halogen kit.

The D900 stands out as having the fastest payback of any eco technology on the market. With Solar panels averaging a 15 year payback and a D900 averaging only 2 years, its an easy decision. Infact, with a 5 year comprehensive guarantee and a designed life of 15 years, its elemental.

# D900 Technical Details



WARM 3000K



CRI 90



16 WATTS

SILVER



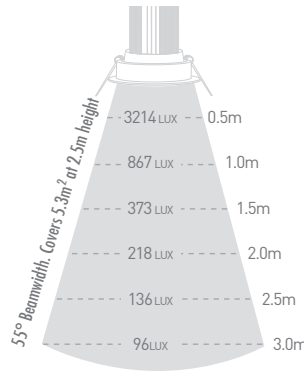
ORDER CODE#  
BG-D900-55-S

WHITE

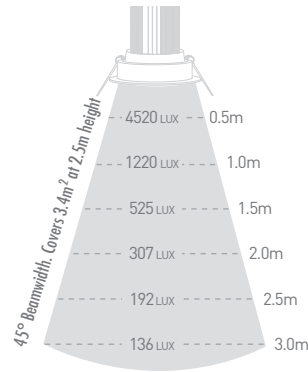


ORDER CODE#  
BG-D900-55-W

55°



45°



SILVER



ORDER CODE#  
BG-D900-45-S

WHITE



ORDER CODE#  
BG-D900-45-W

THE D900 IS A FULLY INTEGRATED 903lm WARM WHITE DOWNLIGHT THAT IS RECOMMENDED FOR MOOD SENSITIVE APPLICATIONS THAT REQUIRE HIGH QUALITY LIGHT.

# D1000 Technical Details



COOL 5000K



CRI 85



16 WATTS

SILVER



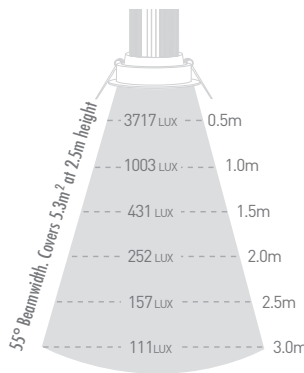
ORDER CODE#  
BG-D1000-55-S

WHITE

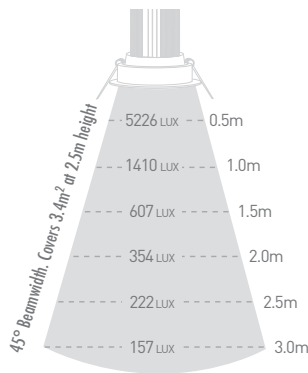


ORDER CODE#  
BG-D1000-55-W

55°



45°



SILVER



ORDER CODE#  
BG-D1000-45-S

WHITE

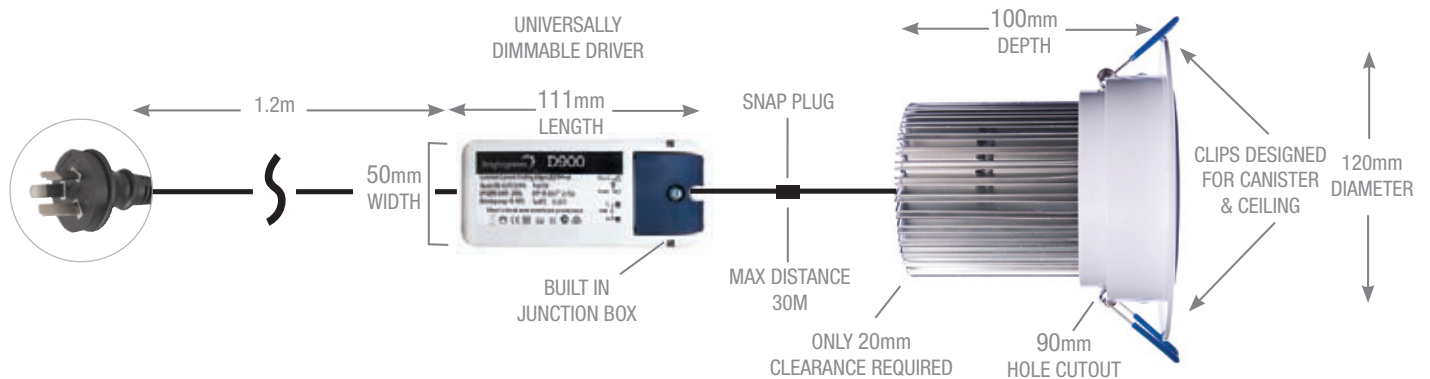


ORDER CODE#  
BG-D1000-45-W

THE D1000 IS A FULLY INTEGRATED 1083lm COOL WHITE DOWNLIGHT THAT IS RECOMMENDED FOR TASK INTENSIVE APPLICATIONS REQUIRING EXTRA HIGH BRIGHTNESS

# D900/D1000 Fully Preassembled

TO REDUCE INSTALL TIME D900/D1000 COME FULLY PREASSEMBLED AS SHOWN IN THE DIAGRAM BELOW.



# Where to Purchase

The D900 & D1000 can be ordered from quality lighting stores and most major electrical wholesalers. To find your closest store visit [brightgreen.net.au](http://brightgreen.net.au)

Photometric tables and IES files for the D900/D1000 can be found at [www.brightgreen.net.au](http://www.brightgreen.net.au). Both products are designed in Australia. Parts are made in many countries including Japan and Germany. Final assembly occurs in China under an ISO 9001 quality control system. The Brightgreen® website has all the additional information you'll need. If you can't find what you are looking for, contact us at [info@brightgreen.net.au](mailto:info@brightgreen.net.au) or 1300 672 499.